

# **Instruction Manual**

## **FT-225RD**

## **FT-225R**

### **TABLE OF CONTENTS**

|                                   | (Page) |
|-----------------------------------|--------|
| INTRODUCTION .....                | 1      |
| SPECIFICATIONS .....              | 2      |
| SEMICONDUCTOR COMPLEMENT .....    | 3      |
| CONTROLS AND SWITCHES .....       | 4      |
| CONNECTOR/JACK INFORMATIONS ..... | 6      |
| REAR PANEL CONNECTIONS .....      | 7      |
| INSTALLATION .....                | 8      |
| OPERATION .....                   | 10     |
| BLOCK DIAGRAM .....               | 15     |
| CIRCUIT DESCRIPTION .....         | 16     |
| MAINTENANCE AND ALIGNMENT .....   | 27     |
| PARTS LIST .....                  | 36     |

**YAESU MUSEN CO, LTD**  
TOKYO JAPAN

# ALL-MODE VHF MEMORY TRANSCEIVER

## FT-225RD FT-225R



The FT-225RD two meter transceiver is a precision-built communications module bringing state-of-the-art features together in a compact, rugged package. Capable of operation over the entire 144-148 MHz range, the FT-225RD provides the flexibility of SSB, CW, AM, and FM operation, and Yaesu's exciting memory feature, which allows storage and recall of any frequency within the 1 MHz band being used, is available as an option. Advanced PLL (Phase Locked Loop) circuitry offers unsurpassed stability and a clean, spurious-free output signal. All circuits are fully solid state, and computer type plug-in modules are used for increased reliability and ease of maintenance.

The FT-225RD provides output power in excess of 25 watts on FM, SSB, and CW, and 8 watts on AM. Deluxe features which are built into every FT-225RD are digital plus analog readout, VOX, semi-break-in CW with sidetone, noise blanker, discriminator center meter, and offset tuning (clarifier) for both receive and transceive frequencies. For tone burst repeater accessing, a programmable tone burst generator is included. The FT-225R, with analog display only, contains a crystal calibrator for precise frequency determination.

The VFO coverage of the two-meter band is in 1 MHz segments, to avoid frequent changes of the bandswitch when crossing the 500 kHz point. In addition to VFO or optional memory operation, 44 crystal-controlled channels (11 channels x 4 bands) are possible. Repeater shift, which is normally set to 600 kHz, may be set to an alternative split of up to 1 MHz by the addition of an optional crystal or by use of the memory system.

The transceiver is entirely self-contained, requiring only an antenna and a power source for operation. The FT-225RD is normally supplied with 117 VAC and 13.6 VDC capability, but the power transformer may be rewired for operation from 100/110/117/200/220/234 VAC power. Two power cords are supplied with the transceiver. Selection of AC or DC operation is made by insertion of the proper line cord into the rear panel receptacle.

The transceiver weighs approximately 9 kg, and is 280 mm wide, 125 mm high, and 315 mm deep. Construction using heavy-gauge steel provides an extremely rugged package which is virtually immune to the effects of vibration and shock which are encountered in mobile service.

# SPECIFICATIONS

## GENERAL

### Frequency Range:

144 — 145 MHz  
145 — 146 MHz  
146 — 147 MHz  
147 — 148 MHz

### Frequency Readout:

Digital readout to 0.1 kHz, analog display resolution better than 1 kHz.

### Modes of Operation:

LSB, USB, CW, AM, FM.

### Frequency Stability:

Within 100 Hz during any 30 minute period after warmup. Not more than 20 Hz with 10 % line voltage variation.

### Intermediate Frequencies:

First IF = 10.7 MHz  
Second IF = 455 kHz

### Antenna Impedance:

50 ohms unbalanced.

### Repeater Split:

600 kHz installed, any split up to 1 MHz possible with optional crystal.

### Power Requirements:

AC 100/110/117/200/220/234 Volts,  
50/60 Hz  
DC 11.5 — 16.0 Volts, negative ground

### Power Consumption:

AC Receive 30 VA  
Transmit 160 VA at full output power  
DC Receive 1.2 A  
Transmit 6.5 A

### Size:

280 (W) x 125 (H) x 315 (D) mm

### Weight:

Approx. 9.0 kg

## RECEIVER

### Sensitivity:

SSB/CW 0.3  $\mu$ V for 10 dB S/N  
FM 0.35  $\mu$ V for 20 dB QS  
AM 1.0  $\mu$ V for 10 dB S/N  
(400 Hz 30 % modulation)

### Selectivity:

SSB/CW/AM 2.3 kHz at 6 dB down  
4.1 kHz at 60 dB down  
FM 12 kHz at 6 dB down  
28 kHz at 60 dB down

### Image Response:

Better than -60 dB

### Spurious Response:

Better than 1  $\mu$ V at antenna input

### Audio Output Impedance:

4 ohms nominal

### Audio Output:

2 watts @ 10% THD

## TRANSMITTER

### Audio Response:

350 ~ 2600 Hz  $\pm$  3 dB

### Carrier Suppression:

Better than -40 dB

### Unwanted Sideband Suppression:

Better than -40 dB

### Spurious Radiation:

Better than -60 dB

### FM Deviation:

Factory set at  $\pm$  5 kHz, maximum  $\pm$  12 kHz

### Power Output:

SSB 24 watts PEP  
FM/CW 25 watts DC  
AM 8 watts DC

## SEMICONDUCTOR COMPLEMENT

### Integrated Circuits (IC):

|                             |   |
|-----------------------------|---|
| $\mu$ PC14305               | 1 |
| $\mu$ PC14308S              | 2 |
| $\mu$ PC78L05               | 1 |
| $\mu$ PC1037H               | 1 |
| TA7045M                     | 1 |
| TA7061AP                    | 2 |
| $\mu$ A703HC                | 1 |
| SN76514                     | 1 |
| SN75450B                    | 1 |
| SN75453                     | 3 |
| MC14011B                    | 4 |
| MC4044P<br>( $\mu$ PC1008C) | 1 |
| MSM561                      | 1 |
| MSM5564                     | 1 |
| MSM5576                     | 1 |
| F4011                       | 1 |
| TC5032                      | 1 |

### Field Effect Transistors (FET):

|         |    |
|---------|----|
| 2SK19BL | 1  |
| 2SK19GR | 11 |
| 2SK19Y  | 1  |
| 3SK40M  | 2  |
| 3SK51   | 2  |

### Transistors:

|           |    |
|-----------|----|
| 2SA496    | 1  |
| 2SA564A   | 1  |
| 2SA695    | 1  |
| 2SB529    | 1  |
| 2SC372Y   | 34 |
| 2SC373    | 9  |
| 2SC496    | 7  |
| 2SC710    | 2  |
| 2SC711    | 1  |
| 2SC730    | 1  |
| 2SC735Y   | 2  |
| 2SC784R   | 10 |
| 2SC1000BL | 2  |
| 2SC1000GR | 4  |
| 2SC2053   | 2  |
| 2SD313D   | 2  |
| 2SD359    | 1  |
| 2N5591    | 1  |
| MRF212    | 1  |
| MJ802     | 1  |

### Germanium Diodes:

|            |    |
|------------|----|
| 1S188FM    | 9  |
| 1S1007(GB) | 10 |

### Silicon Diodes:

|        |    |
|--------|----|
| 1S1555 | 65 |
| 1S1941 | 1  |
| 10D1   | 14 |
| MC301  | 5  |
| U05B   | 1  |

### Varactor Diodes:

|        |    |
|--------|----|
| 1S2208 | 2  |
| 1S2209 | 14 |
| 1SV50  | 1  |
| FC63   | 1  |

### Zener Diodes:

|        |   |
|--------|---|
| 1N4732 | 1 |
| WZ090  | 1 |
| WZ110  | 1 |

### Light Emitting Diodes (LED):

|            |    |
|------------|----|
| GD4-203SRD | 11 |
|------------|----|

### LED Display:

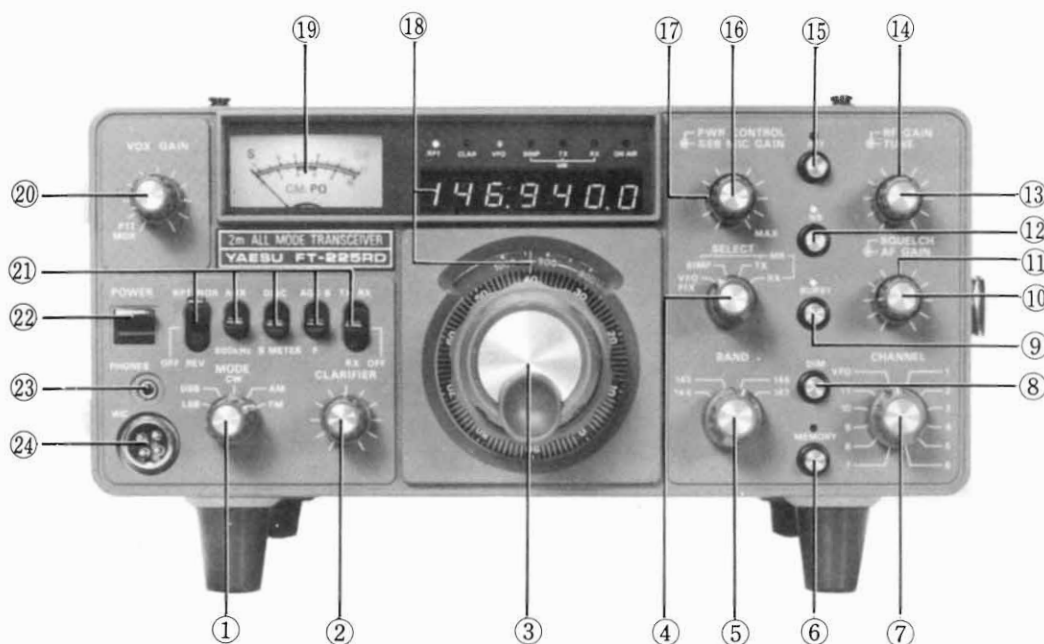
|           |   |
|-----------|---|
| 5082-7740 | 7 |
|-----------|---|

Specifications subject to change without notice.

## CONTROLS AND SWITCHES

This transceiver has been specifically designed for ease of operation and versatility. All internal controls have been carefully preset at the factory. The operator may, however, be unfamiliar with the operation of some of the controls, and improper adjustment thereof may result in poor transceiver

performance. The various front panel controls and switches are described in the following section, and the operator should be familiar with the function of every control before attempting transceiver operation.



### (1) MODE switch

This switch chooses the mode of operation: LSB, USB, CW, AM, or FM.

### (2) CLARIFIER

The clarifier control allows a means of offsetting the transceive or receive frequency  $\pm 4$  kHz from the frequency established by the main VFO dial.

### (3) MAIN TUNING DIAL

The tuning control is a dual rate, double-shaft mechanism which provides for both fast and slow tuning rates. The main dial skirt is calibrated in 1 kHz increments, and the analog dial window is calibrated in 100 kHz increments. Determination of the 1 MHz band segment is made by the BAND switch.

### (4) SELECT switch

This switch selects frequency control between the VFO/FIX mode and memory (optional) control of the transmit, receive, or transceive frequency.

### (5) BAND switch

The BAND switch selects one of the four 1 MHz segments of the two-meter band.

### (6) MEMORY

When the optional memory unit is installed, a new frequency may be stored in memory by pressing the MEMORY switch.

### (7) CHANNEL

This switch selects between VFO control or one of the 11 crystal controlled positions available per band.

### (8) DIM

This switch, when pressed, dims the front panel lamps and the digital display for reduced power consumption or nighttime mobile operation.

### (9) BURST

This switch activates the tone burst generator.

#### **(10) AF GAIN**

The AF GAIN control adjusts the audio output level to the speaker and headphones. Clockwise rotation increases the audio output level.

#### **(11) SQUELCH**

This control adjusts the FM receiver squelch threshold level.

#### **(12) NB**

This switch, when pressed, activates the noise blanker for elimination of pulse-type noise. The noise blanker is not operative in the FM mode, because impulse noise is amplitude modulation and the FM receiver does not respond to such noise.

#### **(13) TUNE**

The TUNE control peaks all transceiver signal circuits for the frequency being used.

#### **(14) RF GAIN**

The RF GAIN control varies the gain of the receiver IF and RF amplifiers. Maximum sensitivity is obtained when the control is set to the fully clockwise position.

#### **(15) ATT**

When pushed, the ATT (RF attenuator) places approximately 20 dB of attenuation in the incoming receive signal path, thus preventing overload of the receiver front end.

#### **(16) SSB MIC GAIN**

This control varies the output from the microphone amplifier stages for SSB and AM operation. The control has sufficient range to permit the use of any 500–600 ohm dynamic microphone.

#### **(17) PWR CONTROL**

This control allows continuously variable power output adjustment, when it is desirable to reduce the level of the transmitted signal, as, for example, when a transverter is used that requires very little driving power.

#### **(18) DIAL**

Frequency readout is by means of the digital and the analog displays. The digital display reads out

all digits of the operating frequency, with resolution to 100 Hz. The analog sub-dial is calibrated every 100 kHz, and the BAND switch and main dial skirt are used to establish the precise operating frequency.

#### **(19) METER**

The meter reads signal strength or FM discriminator center current on receive, and relative power output on transmit.

#### **(20) VOX GAIN**

The VOX GAIN control selects between PTT and MOX (manual transmit) operation, and adjusts the level of the VOX amplifier stage.

#### **(21) FUNCTION switches**

##### **RPT**

This switch is used for repeater operation. For operation in the U.S., the transmitter frequency is shifted 600 kHz lower in the 144, 145, and 146 MHz bands, and in the 147 MHz band, the transmit frequency is shifted 600 kHz higher. The offset may be reversed by placing this switch in the REV position.

##### **AUX/600 kHz**

This switch selects the normal 600 kHz repeater offset or an auxiliary split established through use of an optional crystal.

##### **DISC**

This switch selects between meter indication of discriminator center current or signal strength on receive.

##### **AGC**

This switch selects between slow and fast AGC action.

##### **CLARIFIER switch**

The CLARIFIER switch selects between transceive frequency or receive frequency offset using the clarifier control. In the center (horizontal) position the clarifier is switched off.

**(22) POWER**

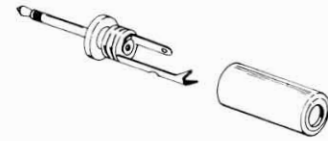
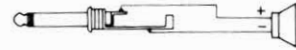
This is the main ON/OFF switch for both AC and DC operation.

**(23) PHONES**

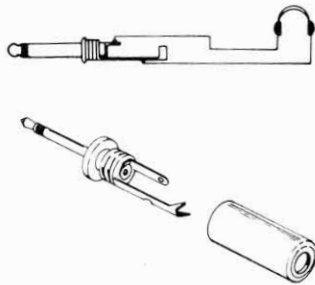
This is a miniature phone jack for use of headphones or a speaker. The internal speaker is disabled when a plug is inserted into this jack.

**(24) MIC**

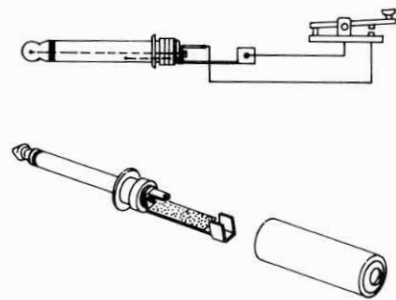
This is a four-conductor jack for microphone and PTT connections.



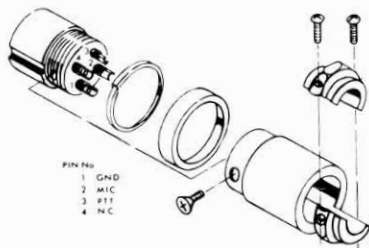
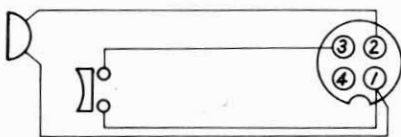
**Speaker Plug**



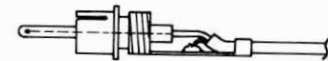
**Headphone Plug**



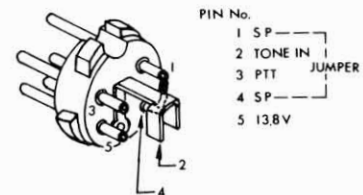
**Key Plug**



**Microphone Connector**

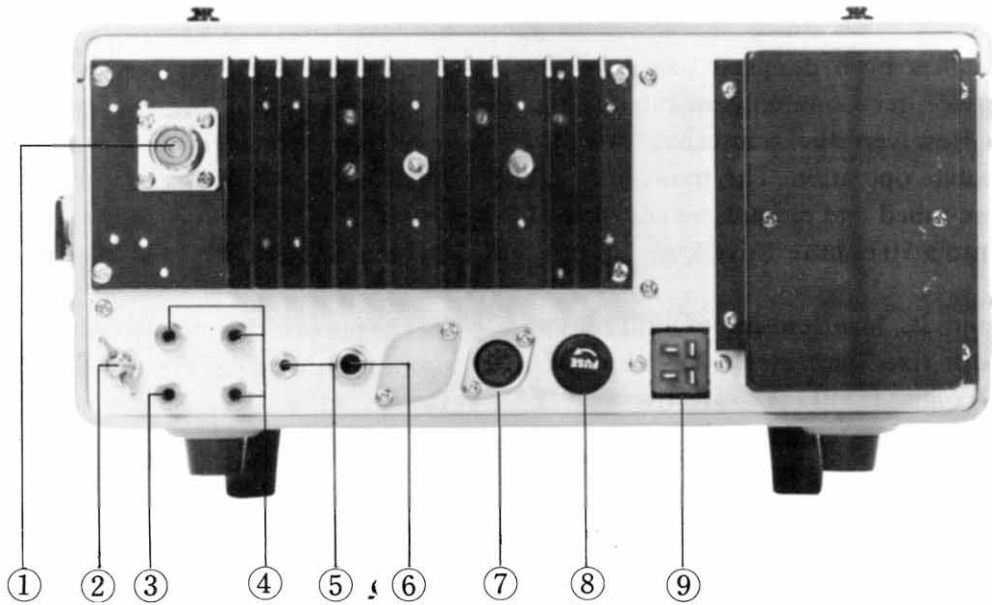


**Phono Plug**



**Tone In Plug**

## REAR PANEL CONNECTIONS



**(1) ANT**

UHF female coaxial connector for antenna input.

**(2) GND**

Ground connection.

**(3) ALC**

ALC (automatic level control) input.

**(4) RL (make, break, common)**

Relay contacts for control of station equipment.

**(5) SP**

External speaker audio output.

**(6) KEY**

Key jack for CW operation.

**(7) TONE-IN**

Tone pad input jack.

**(8) FUSE**

Fuse holder. For AC operation, a 3 amp fuse is used on 117 volts, and a 2 amp fuse is used for 220 volt operation. For DC operation, a 10 amp fuse is located in the DC power cord. When replac-

ing fuses, be certain to replace the blown fuse with one of the proper rating. **WARRANTY DOES NOT COVER DAMAGE CAUSED BY IMPROPER FUSE REPLACEMENT.**

**(9) POWER receptacle**

Both AC and DC cables are connected to this receptacle. They are both supplied with the transceiver.



# INSTALLATION

## GENERAL

The FT-225RD has been designed primarily for base station service, requiring only an antenna and power source. However, the transceiver provides for efficient mobile operation. The transceiver has been factory pre-tuned and requires no adjustment for operation into a 50 ohm resistive load.

The antenna and its location are of critical importance in both fixed and mobile operation. In most cases, communications effectiveness is directly related to antenna height. The antenna should be as high and in the clear as possible, and a minimum separation of 5 feet should be maintained between VHF and other antennas. In mobile operation, it is desirable to locate the antenna as far away from the engine as practicable so as to avoid noise pickup from the ignition system. The most popular mobile antennas are the 1/4 wavelength whip, and the 5/8 wavelength whip which provides approximately 3.5 dB gain over the 1/4 wavelength whip. The Yaesu RSL-145 mobile antenna is available through your dealer.

To minimize loss in the antenna system do not economize on coaxial cable, and use the shortest length of cable that is practical, avoiding sharp angles or kinks. Use type RG8A/U if the transmission line length exceeds 25 feet, while RG-58A/U may be used for shorter runs. Type RG-17A/U, air-dielectric "heliac", or aluminum-jacketed foam-dielectric coax should be used for very long runs.

## BASE STATION INSTALLATION

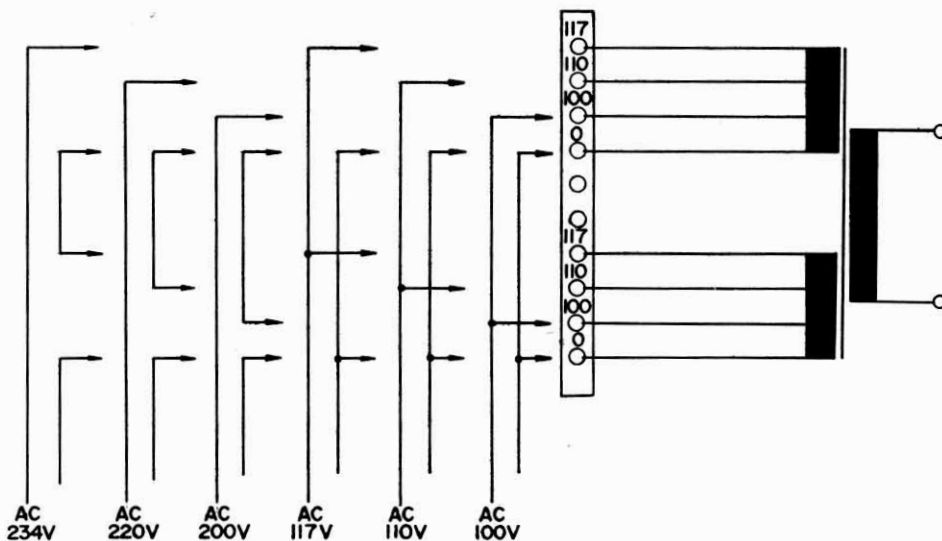
The transceiver is designed for use in many areas of the world where the supply voltage may differ from the operator's local supply voltage. Therefore, before connecting the AC cord to the power outlet, be absolutely certain that the voltage marked on the rear of the transceiver agrees with the local AC supply voltage. If not, please refer to the transformer primary winding chart for the proper connections.

## CAUTION

**PERMANENT DAMAGE WILL RESULT IF IMPROPER AC SUPPLY VOLTAGE IS APPLIED TO THE TRANSCEIVER; OUR WARRANTY DOES NOT COVER THE DAMAGE CAUSED BY SUCH AN IMPROPER SUPPLY VOLTAGE.**

Be sure that a proper fuse is used for the local supply voltage: 3 amps for 117 volts and 2 amps for 220 volts. The transceiver should be connected to a good ground. The ground lead should be connected to the terminal marked GND on the rear panel.

It is recommended that excessively warm locations be avoided. The transceiver should be placed in a location that has adequate space to permit free air circulation through the cabinet openings.



POWER TRANSFORMER PRIMARY CONNECTIONS

## MOBILE INSTALLATION

The transceiver will operate satisfactorily from any 12 volt negative ground battery source by connecting the DC power cord to the rear panel receptacle. In the car, a location should be selected that is clear of heater ducts to protect it from excessive heat. No special mounting precautions need to be observed if adequate ventilation is available. A minimum of two inches of air space is recommended to allow proper air flow around the transceiver. You may put it on the seat but be sure there is clearance between the cabinet bottom and the seat. Since the transceiver requires an average of 6.5 A on transmit, the fuse in the DC power cable should be rated for 10 amps.

When making connections to the car battery, be certain that the RED lead is connected to the positive (+) terminal and the BLACK lead is connected to the negative (-) terminal of the battery. Reversed connections could permanently damage the transceiver. The power cable should be as short as possible, and should be connected to the battery so as to take advantage of the filtering action of the battery.

Prior to operating the transceiver in a mobile installation, the voltage regulator setting should be checked. In many vehicles, the voltage regulation is very poor, and in some cases the regulator may be set for an excessively high charging voltage. As the battery and regulator age, the maximum voltage while charging can increase to a very high level. This is not only detrimental to the battery, but it may damage the transceiver. The transceiver is designed to operate from a source voltage of 11–16.5 volts. It is desirable to set the regulator so that the highest charging voltage does not exceed 14 volts, so as to give a margin of safety. The transceiver should be switched OFF when the vehicle is started so as to prevent voltage transients from damaging the transistors.

It is recommended that the microphone furnished with this transceiver be used: however, any quality microphone of 500–600 ohm impedance may be used. Refer to Fig. 2 for the microphone plug wiring connections. The microphone bracket may be put on the side of the cabinet, or at any other convenient place by drilling two 2.5 mm holes spaced 13 mm.

A speaker is built into the transceiver. However, audio output is also available for use with an external speaker. Any speaker having an impedance of 4 ohms may be used. When an external speaker plug is inserted in the EXT SP jack on the rear panel, the internal speaker is disabled.

## OPERATION

The tuning procedure for this transceiver is not complicated. However, care should be exercised in operation to ensure peak performance. The following paragraphs describe the procedure for receiver and transmitted tuning.

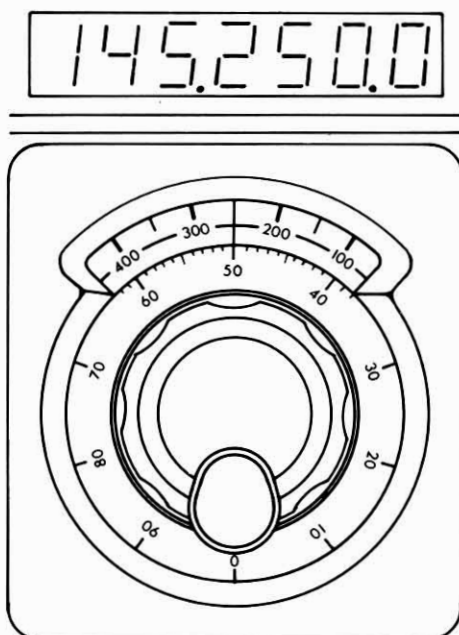
### INITIAL CHECK

Before connecting the transceiver to a power source, carefully examine the unit for any visible damage. Be sure that all modules and crystals are firmly in place, and that controls and switches are operating normally. Be certain that the voltage specification marked on the rear panel matches the supply voltage.

### FREQUENCY READOUT

The digital display includes all digits of the operating frequency, with accuracy to 0.1 kHz.

The analog display consists of three components: the bandswitch, the analog dial window, and the main tuning dial skirt. For example, let us say it is desired to operate on 145.250 MHz. The bandswitch should be placed in the "145" position, the main dial should be rotated so that the dial window indicates half way between "200" and "300", and the dial skirt should indicate "50". By changing the position of the bandswitch, this positioning of the main tuning dial will also yield 144.250, 146.250, and 147.250 MHz.



### RECEIVER

After the transceiver is properly set up for operation, set the controls and switches as follows:

|                       |   |
|-----------------------|---|
| POWER.....            | Down to OFF position                          |
| MODE.....             | Desired mode                                  |
| BAND.....             | Desired band segment                          |
| RPT.....              | Lever position horizontal to OFF position     |
| AUX/600 kHz.....      | Lever position horizontal for 600 kHz shift   |
| DISC.....             | Lever position horizontal to S-meter position |
| CLAR.....             | Lever position horizontal to OFF position     |
| Main tuning dial..... | Desired operating frequency                   |
| VOX GAIN.....         | PTT   |
| AF GAIN.....          | Adjust subsequently for comfortable level     |
| RF GAIN.....          | Fully clockwise position                      |
| SELECT.....           | VFO/FIX                                       |
| CHANNEL.....          | VFO   |
| SQUELCH.....          | Fully counter-clockwise                       |
| NB.....               | OFF (not depressed)                           |
| ATT.....              | OFF (not depressed)                           |
| AGC.....              | Slow or fast, as desired                      |

Connect the appropriate power cord to the proper power source, and connect an antenna to the antenna connector on the rear panel.

### CAUTION

PERMANENT DAMAGE WILL RESULT IF IMPROPER SUPPLY VOLTAGE IS APPLIED TO THE TRANSCEIVER. WARRANTY DOES NOT COVER THE DAMAGE CAUSED BY IMPROPER SUPPLY VOLTAGE.

Turn on the POWER switch. The dial and meter lamps and digital display LED's should light up; the transceiver is now ready to operate. Peak the TUNE control for maximum receiver background noise; this will also peak the transmitter circuits for maximum power output.

### (1) SSB and AM Modes

Using the main tuning control, tune in an SSB signal. Upper sideband (USB) is the more commonly used mode for 2 meter SSB operation; if, however, the incoming station, cannot be tuned in, he or she may be using lower sideband (LSB). The RF GAIN control is normally set to the fully clockwise position, but if the incoming signal is extremely strong, or if you are trying to copy a weak station adjacent to an extremely strong station, reducing the RF GAIN control setting may improve reception. When pulse-type noise such as ignition noise is encountered, press the NB (noise blanker) switch.

### (2) CW Mode

With the clarifier in the OFF position, tune in a CW signal. When the incoming signal is tuned to a beat note of 800 Hz, your transmit frequency will coincide with that of the other station. If another beat note is desired, or if the other station drifts, then use the clarifier control.

### (3) FM Mode

Using the main tuning control, tune in an FM signal for a maximum and steady S-meter reading and a clear, natural voice output from the speaker. For accurate tuning, set the meter switch to the DISC position, and carefully readjust the tuning control until the pointer is exactly vertical (zero on the discriminator scale).

If the S-meter wobbles, or if it is impossible to obtain clean audio, it is possible that the incoming signal is on another mode, such as SSB.

## FREQUENCY CALIBRATION

### (1) FT-225RD (Digital plus analog model)

The digital display is automatically calibrated, and no further adjustment is needed. The analog dial skirt should be rotated so that it coincides with the frequency shown on the digital display.

### (2) FT-225R (Analog model)

#### A. SSB/CW Modes

Activate the MARK switch, rotate the main tuning dial to the nearest 100 kHz point, and tune in the marker signal for a zero beat (lowest pitch frequency). Rotate the dial skirt, so as to align the "0" calibration with the vertical calibration

marking. The transceiver must be recalibrated when changing modes, as, for example, when changing from LSB to USB.

#### B. AM Mode

Activate the MARK switch, and rotate the main tuning dial to the nearest 100 kHz point, and tune in the marker signal for a maximum S-meter reading. Rotate the dial skirt to align the "0" calibration with the vertical calibration marking.

#### C. FM Mode

Place the meter switch in the DISC position. Activate the MARK switch, and rotate the main tuning dial to the nearest 100 kHz point. Tune in the marker signal for a vertical indication of the meter pointer ("0" on the discriminator center meter). Rotate the dial skirt for calibration at the "0" point, as in the previous sections.

NOTE: WHEN THE MARKER SWITCH IS ACTIVATED, THE ANTENNA IS DISCONNECTED FOR EASIER CALIBRATION.

## TRANSMITTER

Connect a 50 ohm dummy load or matched antenna to the coaxial fitting on the rear panel. If the TUNE control has been adjusted no further adjustment is needed for full transmitter output. The adjustment of the TUNE control for maximum output is very broad.

For adjustment of the power output level, the PWR CONTROL may be rotated as required. Some transverters require very little drive power for proper operation, and this control allows the operator to control the transmitter output level as needed.

### (1) SSB Mode

The SSB MIC GAIN control should be adjusted while speaking in a normal voice a long syllable such as the word "four". The SSB MIC GAIN control should only be advanced to the point where the output does not increase further. Excessive advancement of the gain control will result in splatter and distortion, thus reducing intelligibility. The microphone PTT switch may be used, or the VOX circuitry may be utilized (see part (5) of this section).

## (2) AM Mode

When the microphone PTT switch is depressed, the proper amount of carrier is automatically inserted. Adjust the SSB MIC GAIN control until the meter indicates a very slight movement with voice peaks while speaking into the microphone in a normal voice.

## (3) CW Mode

Plug a key into the KEY jack on the rear panel. In the key-down condition, the meter will indicate between 6 and 8 on the relative output scale. For semi-break-in operation, advance the VOX GAIN control until the sidetone oscillator activates the VOX relay when the key is closed. For PTT operation, rotate the VOX GAIN control to the PTT position. Keying is accomplished by closing the DC 8V line to ground. Key down current is approximately 8 mA. Use caution when utilizing an electronic keyer so as to avoid damage due to reversed polarity.

## (4) FM Mode

Push the PTT switch on the microphone while speaking normally into the microphone. The mic gain is automatically set in the FM mode. While transmitting, the relative output meter will read between 6 and 8. Release the microphone PTT switch for return to receive.

## (5) VOX (Voice Controlled) Operation

Adjust the VOX GAIN control on the front panel until your voice actuates the transmitter while you are speaking in a normal voice into the microphone. Set the antitrip control VR<sub>402</sub>, which is located on the AF AMP UNIT, to the minimum point that prevents the speaker output from tripping the VOX circuit. Do not use more VOX GAIN nor ANTITRIP than necessary. Adjust the DELAY control VR<sub>401</sub> for the desired release time. The RELAY control provides a coarse adjustment for the relay sensitivity, and this has been preset at the factory. The RELAY and DELAY controls are also located on the AF AMP UNIT.

## (6) PTT Operation

Push-to-talk operation is accomplished by rotating the VOX GAIN control to the PTT position (but not into the click-stop, which is the MOX position). The PTT circuit may then be activated

either by the microphone PTT switch, or by a footswitch. If a footswitch is used, it may be connected through the rear panel TONE IN jack; the switch should be connected between pin 3 and ground.

## REPEATER OPERATION

The transmit frequency may be shifted 600 kHz for repeater operation. When the RPT switch is in the NOR (normal) position, the transmit frequency is shifted 600 kHz lower in the 144, 145, and 146 MHz bands, and 600 kHz higher in the 147 MHz band (US model). These relations are reversed when the RPT switch is placed in the REV position. That is, on the 144, 145, and 146 MHz bands, when the RPT switch is placed in the REV position, the receive frequency is shifted 600 Hz down; on 147 MHz, the receive frequency is shifted 600 kHz up. Extreme caution should be exercised so as not to transmit outside the amateur bands while using the RPT switch.

In some areas, repeater splits other than 600 kHz have been authorized. In this case, an optional crystal may be installed in the local unit to provide repeater splits of up to 1 MHz. The AUX/600 kHz switch must be placed in the AUX position for actuating the optional crystal.

Determination of the AUX crystal frequency is made as follows:

|                            |   |
|----------------------------|---|
| Band 144 (144.0–145.0 MHz) | $(125.1 + \text{Shift frequency}) \div 9$ |
|                            | $(125.1 - \text{Shift frequency}) \div 9$ |
| Band 145 (145.0–146.0 MHz) | $(126.1 + \text{Shift frequency}) \div 9$ |
|                            | $(126.1 - \text{Shift frequency}) \div 9$ |
| Band 146 (146.0–147.0 MHz) | $(127.1 + \text{Shift frequency}) \div 9$ |
|                            | $(127.1 - \text{Shift frequency}) \div 9$ |
| Band 147 (147.0–148.0 MHz) | $(128.1 + \text{Shift frequency}) \div 9$ |
|                            | $(128.1 - \text{Shift frequency}) \div 9$ |

**Example 1**

Calculate the crystal frequency for -800 kHz shift in the 146 MHz band segment (TX frequency 800 kHz lower):  
 $(127.1 - 0.8) \div 9 = 14.033 \text{ MHz}$

**Example 2**

Calculate the crystal frequency for +800 kHz shift in the 147 MHz band segment (TX frequency 800 kHz higher):  
 $(128.1 + 0.8) \div 9 = 14.3222 \text{ MHz}$

When the optional memory unit is installed, the output frequency of the repeater may be stored by pressing the MEMORY button and placing the SELECT switch in the SIMPLEX position. By placing the RPT switch in the NOR or REV positions, the desired offset will occur. If the repeater input and output frequencies are within the same 1 MHz width of the BAND switch, the input frequency may be stored in memory, and then recalled for transmission only by placing the SELECT switch in the TX MR position. The VFO can then be tuned to the output frequency of the repeater. In this way, "oddball" splits can be accommodated.

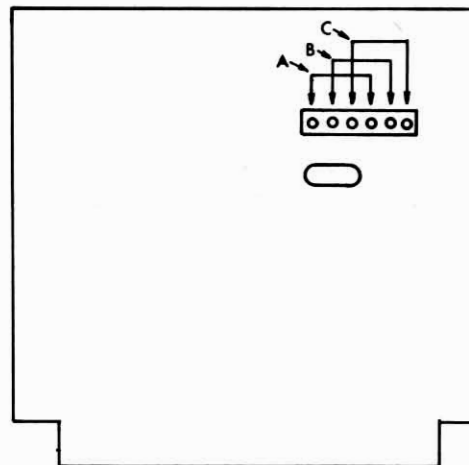
Tone actuated repeaters can be accessed by means of the built-in tone burst generator, which is actuated by pressing the BURST switch on the front panel. With this button depressed, pushing the microphone PTT switch will cause insertion of the burst signal at the beginning of each transmission.

The audio frequency of the tone burst signal may be programmed for any frequency between 671 and 2900 Hz, by use of a crystal and by positioning the selector plug on the tone burst unit. The US model normally is set up for 1800 Hz operation, and the European model for 1750 Hz operation. The charts will show the relation between the position of the selector plug, the crystal frequency, and the tone frequency. Moving the selector plug will change the tone frequency by a factor of two or four, as shown in the charts.

| Tone Frequency<br>(Hz) | Multiplier | Plug Position | Crystal Frequency<br>(kHz) |
|------------------------|------------|---------------|----------------------------|
| 671-1342               | 4096       | A             | 2750-5500                  |
| 1343-2685              | 2048       | B             | 2750-5500                  |
| 2686-2900              | 1024       | C             | 2750-2970                  |

Crystal frequency = Tone frequency  $\times$  Multiplier.

Table 2



| BAND | Simplex/Split | Local Frequency<br>(MHz) | Crystal Frequency<br>(MHz) | Multiplier |
|------|---------------|--------------------------|----------------------------|------------|
| 144  | Simplex       | ★ 125.1                  | 13.9000                    | ×9         |
|      | +600kHz Shift | 125.7                    | 13.9666                    |            |
|      | -600kHz Shift | ★ 124.5                  | 13.8333                    |            |
| 145  | Simplex       | ★ 126.1                  | 14.0111                    |            |
|      | +600kHz Shift | 126.7                    | 14.0777                    |            |
|      | -600kHz Shift | ★ 125.5                  | 13.9444                    |            |
| 146  | Simplex       | ★ 127.1                  | 14.1222                    |            |
|      | +600kHz Shift | 127.7                    | 14.1888                    |            |
|      | -600kHz Shift | ★ 126.5                  | 14.0555                    |            |
| 147  | Simplex       | ★ 128.1                  | 14.2333                    |            |
|      | +600kHz Shift | ★ 128.7                  | 14.3000                    |            |
|      | -600kHz Shift | 127.5                    | 14.1666                    |            |

Table 1 (★ US model)

## CRYSTAL CONTROLLED OPERATION

In addition to normal VFO operation, eleven crystals may be selected by the channel switch on the front panel for crystal controlled operation. Such operation is often useful for operation on favorite calling or repeater frequencies. Since the 2 meter band is divided into four segments in the FT-225RD, these eleven crystals could provide for operation on 44 different frequencies.

The crystal holders accept standard HC-25/U type crystals. All crystal frequencies must fall between 8,200 kHz and 9,200 kHz. A trimmer capacitor is connected in series with each crystal to permit fine tuning of the crystal frequency; Adjustment of this trimmer will move the crystal frequency approximately 1 kHz.

The correct crystal frequency for any desired operating frequency may be determined by using the following formula:

$$f_x = f_0 - f_1$$

where  $f_x$  = crystal frequency  
 $f_0$  = operating frequency  
 $f_1$  = a constant shown in Table 3

**Example:** Calculate the required crystal frequency for 144.25 MHz CW operation.

$$f_x = f_0 - f_1 = 144250 - 135799.3 = 8450.7 \text{ kHz}$$

It can be seen from the chart that a crystal for 144.51 MHz FM can also be used for 145.51, 146.51, and 147.51 MHz FM by changing the position of the BAND switch.

| BAND<br>(MHz) | $f_1$    |          |                |             |
|---------------|----------|----------|----------------|-------------|
|               | LSB(MHz) | USB(MHz) | AM-FM<br>(MHz) | CW<br>(MHz) |
| 144~145       | 135.8015 | 135.7985 | 135.8000       | 135.7993    |
| 145~146       | 136.8015 | 136.7985 | 136.8000       | 136.7993    |
| 146~147       | 137.8015 | 137.7985 | 137.8000       | 137.7993    |
| 147~148       | 138.8015 | 138.7985 | 138.8000       | 138.7993    |

Table 3

## MEMORY OPERATION

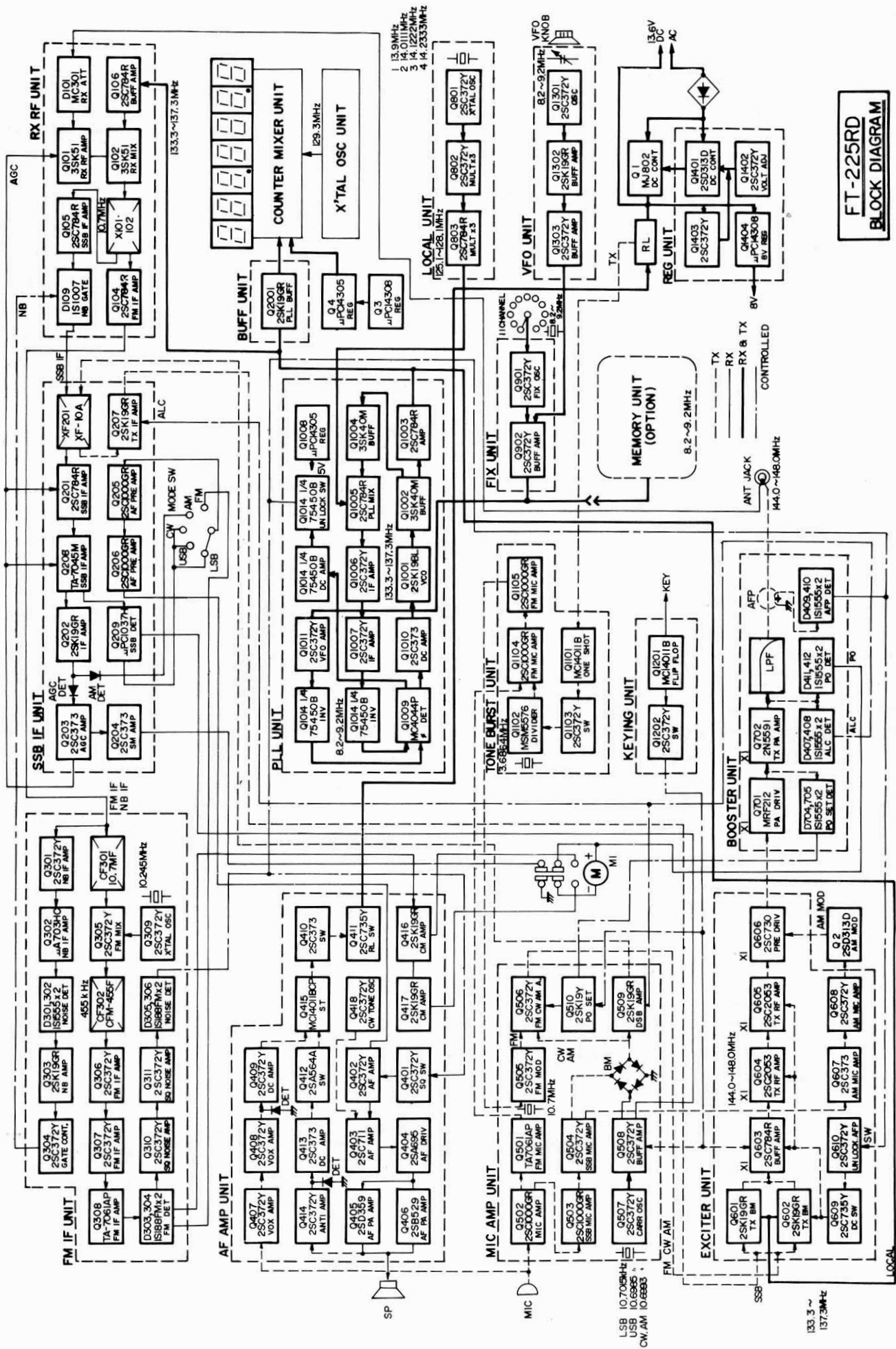
(With optional MEMORY UNIT installed)

The memory circuitry can be used to store any frequency within a 1 MHz band segment for recall and control of the receive, transmit, or transceive frequencies. A frequency is memorized by pressing the MEMORY button, and the frequency is recalled by positioning the SELECT switch as needed. In the SIMPLEX position, the transceive frequency is locked on the memorized frequency. In the TX MR position, the transmitter is locked on the memorized frequency, and the receiver is controlled by the main VFO (or FIX unit). In the RX MR position, the receiver is locked on the memorized frequency, and the transmitter is controlled by the main VFO.

Caution should be observed during repeater operation: if the SELECT switch is in the TX MR position, for example, and the RPT switch is in the NOR position, the 600 kHz shift will be applied to the memorized frequency, which will be recalled during transmission periods. Unless the operator is careful, an unwanted repeater may be activated, causing interference to other users.

Optional batteries inserted in the MEMORY UNIT will allow the memorized frequency to be held, even though the FT-225RD is turned off.

For most repeater work, the memorized repeater frequency can be recalled by placing the SELECT switch in the SIMPLEX position, and placing the RPT in the NOR or REV position as needed. The main VFO may then be turned to another frequency, such as another repeater or calling frequency; return to the VFO frequency is made by placing the SELECT switch in the VFO/FIX position. Alternatively, the repeater input frequency may be memorized and recalled by placing the SELECT switch in the TX MR position; the VFO can then be turned to the repeater output frequency, and the RPT switch should be OFF.



**FT-225RD  
BLOCK DIAGRAM**



# CIRCUIT DESCRIPTION

## GENERAL

The block diagram and circuit description below will provide you with a better understanding of the transceiver. Computer-type plug-in modules are utilized throughout this transceiver.

The FT-225RD uses a single conversion receiver with a 10.7 MHz IF for SSB, CW, and AM; a double conversion receiver with a 10.7 MHz first IF and a 455 kHz second IF is used for FM. A single conversion transmitter, utilizing a 10.7 MHz high frequency crystal filter for SSB generation, and varactor diode frequency modulation of a 10.7 MHz crystal oscillator, is incorporated.

Each printed board has its own parts numbers, beginning, usually with number -01. For example, the IF amplifier transistor 2SC784R on PB-1778 is Q201.

## RECEIVER

### RX RF UNIT (PB-1746)

The 144 MHz input signal from the antenna is fed through the antenna relay RL<sub>701</sub> to pin 5 of the RX RF unit. The signal is then amplified by RF amplifier Q<sub>102</sub> (3SK51), a field effect transistor, and then fed to gate 1 of the first mixer Q<sub>103</sub> (3SK40M), where the input signal is heterodyned with a 133.3 MHz to 137.3 MHz signal delivered from the PLL unit, thus producing an IF signal of 10.7 MHz at the drain of Q<sub>103</sub>.

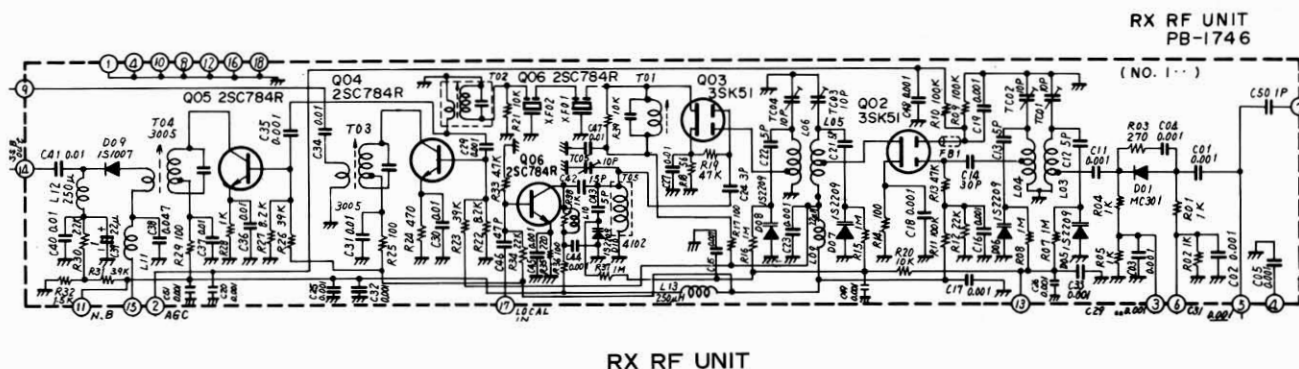
The input and output circuits of the RF amplifier utilize a double tuned circuit, which is sharply tuned to the center of the band by varactor diodes D<sub>105</sub> — D<sub>108</sub> (1S2209), thus eliminating cross modulation and intermodulation effects.

The IF signal passes through crystal filters XF<sub>101</sub> and XF<sub>102</sub> (both 10M2A2), and the SSB, AM, and CW signal is then fed to the first IF amplifier Q<sub>105</sub> (2SC784R); the FM signal is fed to Q<sub>104</sub> (2SC784R). The amplified SSB, CW or AM signal is fed through a noise blanker gate diode D<sub>109</sub> (1S1007) to pin 14 of the printed board, while the amplified FM signal is fed to pin 9.

### SSB IF UNIT (PB-1778)

The SSB, AM, and CW signal from pin 14 of the RX RF unit is fed through pin 3 of the SSB IF unit. The signal is then fed through a diode switch and a crystal filter XF<sub>201</sub> (XF10A) to the IF amplifier Q<sub>201</sub> (2SC784R). The signal is amplified by Q<sub>201</sub> and Q<sub>208</sub> (TA7045M), and then fed to the balanced demodulator Q<sub>209</sub> ( $\mu$ PC1037), where a carrier signal is applied through pin 32 from the carrier oscillator in the MIC AMP unit.

The audio output is fed through pin 33 and the MODE switch S3D to pin 25 of the printed board. The IF signal is further amplified by Q<sub>202</sub> (2SK-19GR), and detected by the AM detector D<sub>204</sub> (1S188FM) in the AM mode. The audio signal is then fed through pin 28 to the MODE switch S3D.

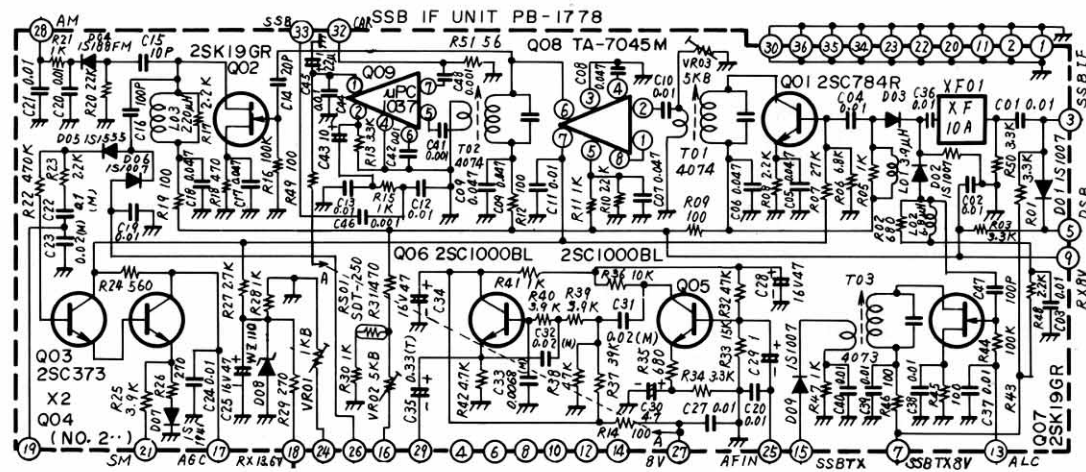


A portion of the IF signal output from Q<sub>202</sub> is rectified by D<sub>205</sub> (1S1555) and D<sub>206</sub> (1S1007) for AGC (automatic gain control) purposes. The AGC voltage is amplified by Q<sub>203</sub> and Q<sub>204</sub> (both 2SC373); this voltage controls the gain of IF amplifiers Q<sub>201</sub> and Q<sub>208</sub>. A portion of the AGC voltage is fed through pin 17 to the RX RF unit to control the gain of RF amplifier Q<sub>102</sub>. The AGC voltage is amplified by the S-meter amplifier Q<sub>204</sub> (2SC373) and fed to the S-meter through the DISC/S METER switch on the front panel.

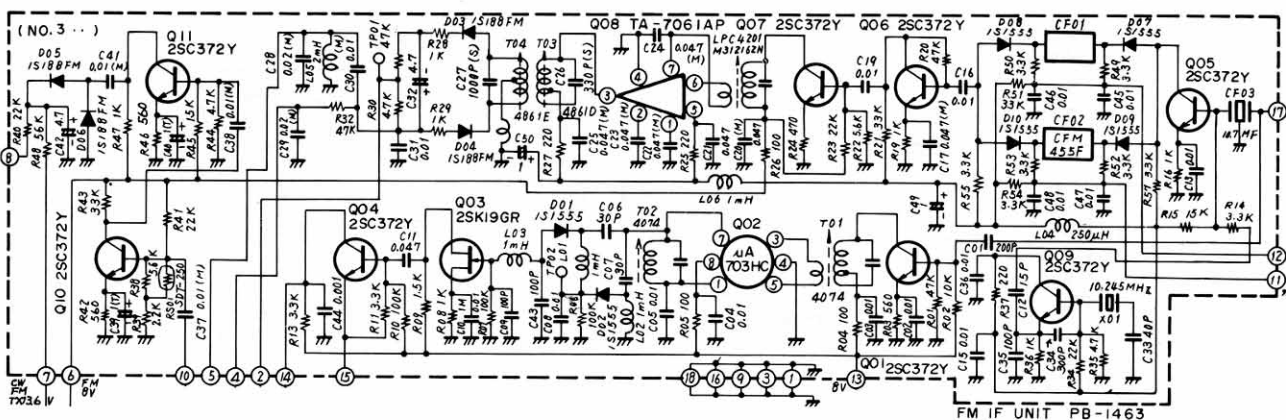
The audio signal from the MODE switch is pre-amplified by Q<sub>205</sub> and Q<sub>206</sub> (both 2SC100BL) and fed through pin 29 to the AF AMP unit.

### FM IF UNIT (PB-1463)

The FM IF signal from pin 17 of the printed board is fed through a ceramic filter CF<sub>303</sub> (10.7 MF BR) to the second mixer Q<sub>305</sub> (2SC372Y), where the 10.7 MHz signal is mixed with the 10.245 MHz signal generated by the second heterodyne oscillator Q<sub>309</sub> (2SC372Y), thus producing a 455 kHz second IF signal. The 455 kHz IF signal is fed through a ceramic filter CF<sub>302</sub> to the second IF amplifier Q<sub>306</sub> and Q<sub>307</sub> (both 2SC372Y) and also to the amplifier limiter Q<sub>308</sub> (TA7061AP), which removes any amplitude modulation component of the signal. The output of Q<sub>308</sub> is applied to the discriminator D<sub>303</sub> and D<sub>304</sub> (both 1S188FM). The discriminator produces an audio output in response



SSB IF UNIT



FM IF UNIT

to a corresponding frequency (or phase) shift in the 455 kHz IF signal. The discriminator output is then fed to the common audio amplifier stage in the SSB IF unit through the MODE switch.

For FM reception, when no carrier is present in the 455 kHz IF, the noise at the discriminator output is fed through the squelch threshold potentiometers VR<sub>6</sub> and VR<sub>1b</sub> to the noise amplifier Q<sub>310</sub> and Q<sub>311</sub> (2SC372Y), and is detected by D<sub>805</sub> and D<sub>806</sub> (1S188FM). The DC voltage is applied from pin 8 to the squelch controller Q<sub>401</sub> (2SC372Y) in the AF AMP unit.

The 10.7 MHz signal is also applied to the noise blanker amplifier Q<sub>301</sub> (2SC372Y). The signal is amplified by Q<sub>301</sub> and Q<sub>302</sub> ( $\mu$ A703HC). The noise rectifier diodes D<sub>301</sub> and D<sub>302</sub> (1S1555) produce a DC voltage which is amplified by noise pulse amplifier Q<sub>303</sub> (2SK19GR).

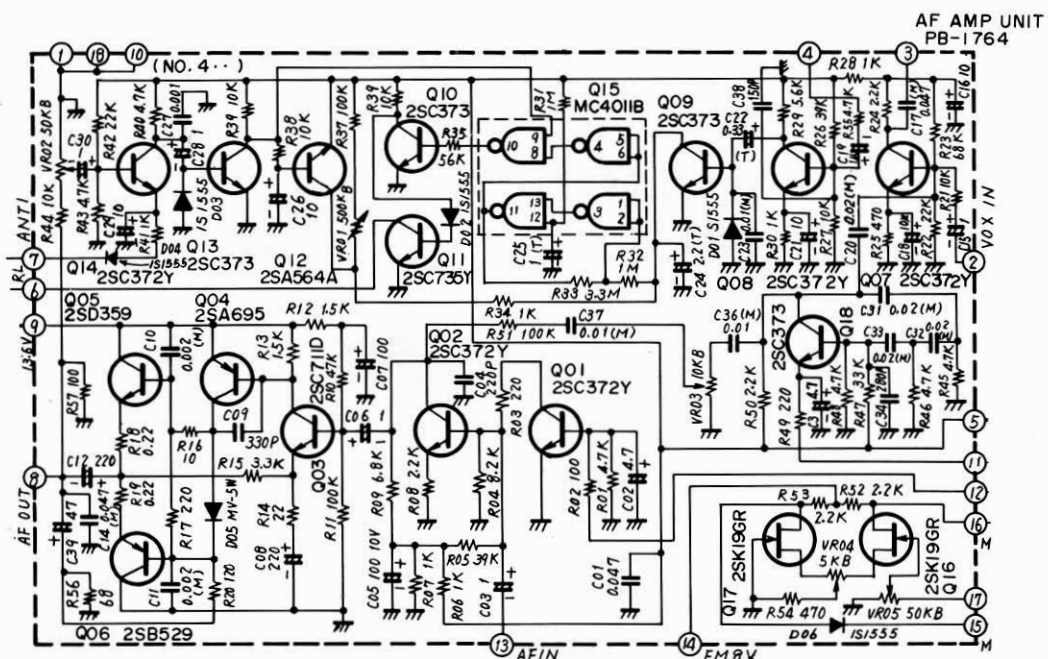
Under normal conditions, Q<sub>303</sub> conducts, producing the cut-off voltage to the base of gate controller Q<sub>304</sub> (2SC372Y); in turn, the high collector voltage of Q<sub>304</sub> is supplied from pin 15 to the gate diode D<sub>109</sub> (1S1007) in the RX RF unit, which conducts to pass the signal freely. With pulse noise, Q<sub>304</sub> conducts, and its collector voltage drops, causing the gate diode D<sub>109</sub> to disconnect the IF signal during the noise pulse duration.

## AF AMP UNIT (PB-1764)

The audio signal is pre-amplified in the SSB IF unit and fed through pin 13 to the audio amplifier stage consisting of Q<sub>402</sub> (2SC372Y), Q<sub>403</sub> (2SC711), Q<sub>404</sub> (2SA695), Q<sub>405</sub> (2SD359), and Q<sub>406</sub> (2SB529). The audio power amplifier uses OTL (output transformerless) circuitry, and delivers 2 watts output to the speaker from pin 8.

In the FM mode, the squelch voltage is applied from pin 12 to the squelch controller Q<sub>401</sub> (2SC372Y), which conducts when only noise (no signal) is present; in turn, the audio input is grounded to quiet the audio amplifier. When the signal is present, Q<sub>401</sub> is cut off, and the audio amplifier operates normally. DC voltage is also applied from pin 12 to quiet the audio amplifier when the PLL circuit is unlocked.

A portion of the microphone input is delivered to pin 2 of the printed board. The speech signal is amplified by Q<sub>407</sub> and Q<sub>408</sub> (both 2SC372Y) and is applied to the base of Q<sub>409</sub> (2SC373), which conducts with the speech signal, causing the collector to reach the "low" state. When a speech signal is not present, Q<sub>409</sub> cuts off, and the voltage across C<sub>424</sub> becomes "high".



AF AMP UNIT

C<sub>424</sub>, VR<sub>401</sub>, R<sub>437</sub>, and R<sub>434</sub> form the delay circuit to adjust the VOX relay hold time. The collector voltage is applied to NAND gate Q<sub>415</sub> (MC14011B), causing pin 8 to become "high". When pin 8 and pin 9 are "high", pin 10 of Q<sub>415</sub> becomes "low", causing Q<sub>410</sub> (2SC373) to cut off; in turn, relay controller Q<sub>411</sub> (2SC735) actuates the VOX relay.

The antitrip circuit provides a bucking voltage to prevent the speaker output from tripping the transmitter. The receiver audio output is connected through ANTITRIP potentiometer VR<sub>402</sub> to the antitrip amplifier Q<sub>414</sub> (2SC372Y). Amplifier Q<sub>413</sub> (2SC373) will conduct with the rectified voltage, thus keeping the potential at pin 9 of Q<sub>415</sub> "low", thus maintaining Q<sub>415</sub> in an "off" configuration while receiving.

The collector voltage of Q<sub>413</sub> is also fed to the base of Q<sub>412</sub>, which conducts with high collector voltage on Q<sub>413</sub>, causing Q<sub>414</sub> to become "high" rapidly for immediate relay actuation when a speech signal appears in the microphone circuit.

The tone oscillator Q<sub>418</sub> (2SC373) operates when the MODE switch is in the CW position. It is a phase shift oscillator, operating at approximately 800 Hz.

The tone output is activated by the keying circuit through the emitter circuit of Q<sub>418</sub>. It is coupled through sidetone level control VR<sub>403</sub> to the receiver audio amplifier Q<sub>403</sub> for sidetone monitoring on CW. The output from Q<sub>418</sub> is also coupled to the VOX amplifier Q<sub>408</sub> for semi-break-in CW operation. In the FM mode, a DC voltage at the discriminator output is applied from pin 17 to the differential amplifier Q<sub>416</sub> and Q<sub>417</sub> (2SK19GR).

When the frequency of the received signal is shifted from the discriminator center, the resulting DC voltage causes either Q<sub>416</sub> or Q<sub>417</sub> to conduct, and the amount of shift is displayed on the meter when the meter switch is in the DISC position. VR<sub>404</sub> balances the differential amplifier, and VR<sub>405</sub> calibrates the sensitivity of the meter.

## TRANSMITTER

### MIC AMP (UNIT PB-1753)

The speech signal from the microphone is fed from pin 23 to the first microphone amplifier Q<sub>502</sub> (2SC1000GR). The input impedance of the microphone amplifier is 600 ohms. This signal is controlled in amplitude by the MIC GAIN control between pins 27 and 20, and is amplified by the second microphone amplifier Q<sub>503</sub> (2SC1000GR), and applied to emitter follower Q<sub>504</sub> (2SC372Y) to be delivered to the ring modulator D<sub>507</sub> — D<sub>510</sub> (1S1007).

The carrier oscillator Q<sub>507</sub> (2SC372Y) oscillates at 10.7015 MHz for LSB, 10.6985 MHz for USB, and 10.6993 MHz for AM/CW, depending on the position of the MODE switch. In the CW position, the carrier oscillator oscillates at 10.6993 MHz for transmit and 10.6985 MHz for receive, producing an 800 Hz beat note in the receive mode. In the AM mode, the carrier oscillator does not function on receive. The MODE switch selects the crystal by means of a diode switch. The output from the oscillator is fed through the buffer amplifier Q<sub>508</sub> (2SC372Y) to the balanced ring modulator D<sub>507</sub> — D<sub>510</sub> (1S1007). The carrier signal output from the buffer amplifier Q<sub>508</sub> is fed from pin 20 to the SSB IF unit for SSB and CW reception. Carrier balance is obtained with potentiometer VR<sub>505</sub> and trimmer capacitor TC<sub>504</sub>. The double sideband, suppressed carrier signal is amplified by Q<sub>509</sub> (2SK19GR) and fed from pin 17 to pin 5 of the SSB IF unit. In the AM and CW modes, the balanced modulator is unbalanced by the DC voltage applied from pin 13, and the carrier signal is fed through T<sub>502</sub> to carrier amplifier Q<sub>506</sub> (2SC372Y). The amplified carrier is fed from pin 3 to the EXCITER unit.

The audio signal output from Q<sub>504</sub> is fed from pin 22 to pin 12 of the EXCITER unit to be amplified to a sufficient level for low level amplitude modulation.

In the FM mode, the speech signal delivered to pin 23 of the MIC AMP unit is amplified by Q<sub>502</sub> (2SC1000GR) and Q<sub>501</sub> (TA7061AP), a limiter amplifier, and is fed through deviation control potentiometer VR<sub>502</sub> (narrow) or VR<sub>503</sub> (wide) to pin 7 of the TONE BURST unit. Here it is amplified through an active low-pass filter circuit, Q<sub>1104</sub>

(2SC1000GR), which attenuates all audio frequency components above 2700 Hz. The signal is further amplified by Q<sub>1105</sub> (2SC1000GR) and applied to the modulator, varactor diode D<sub>501</sub> (FC63). The frequency modulated signal is then amplified by Q<sub>506</sub> (2SC372Y) and fed through a diode switch to the EXCITER unit.

### EXCITER UNIT (PB-1762)

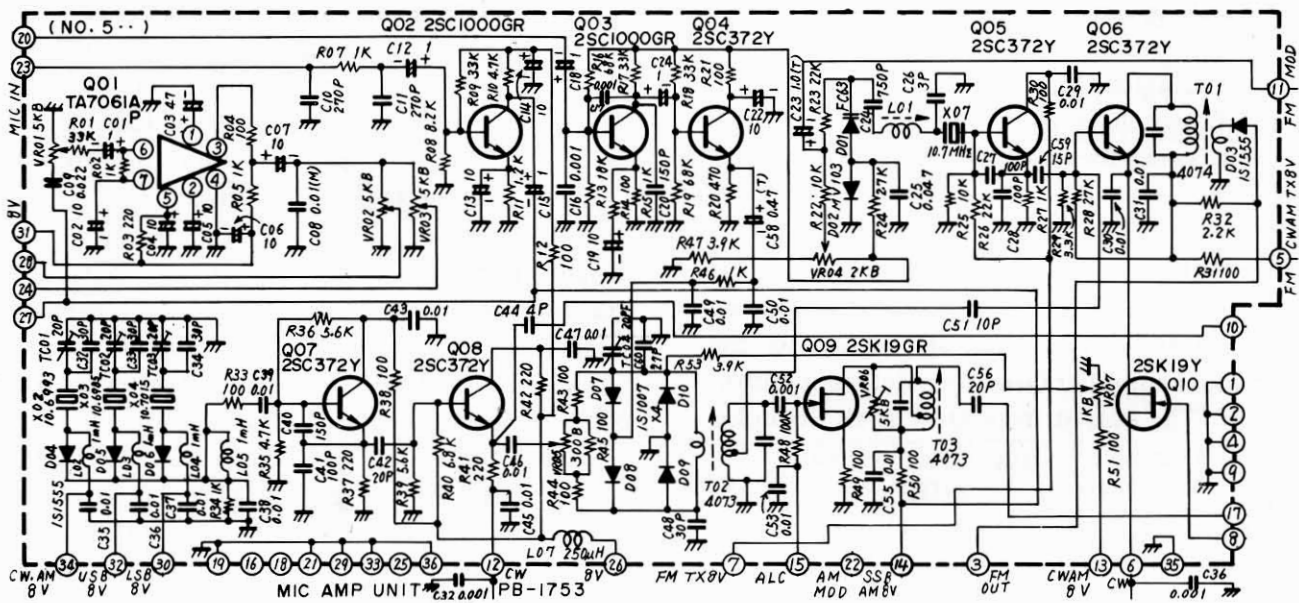
The SSB output signal from the SSB IF unit, as well as the AM, CW, and FM output signals (10.7 MHz) from the MIC AMP unit, are fed to the EXCITER unit from pin 3 and pin 5, respectively.

The 10.7 MHz signal is fed to the balanced mixer consisting of Q<sub>601</sub> and Q<sub>602</sub> (2SK19GR), where the signal is mixed with the 133.3 to 137.3 MHz heterodyne signal delivered from pin 4 of the printed board, thus producing a 144—148 MHz signal. The output signal from the balanced mixer

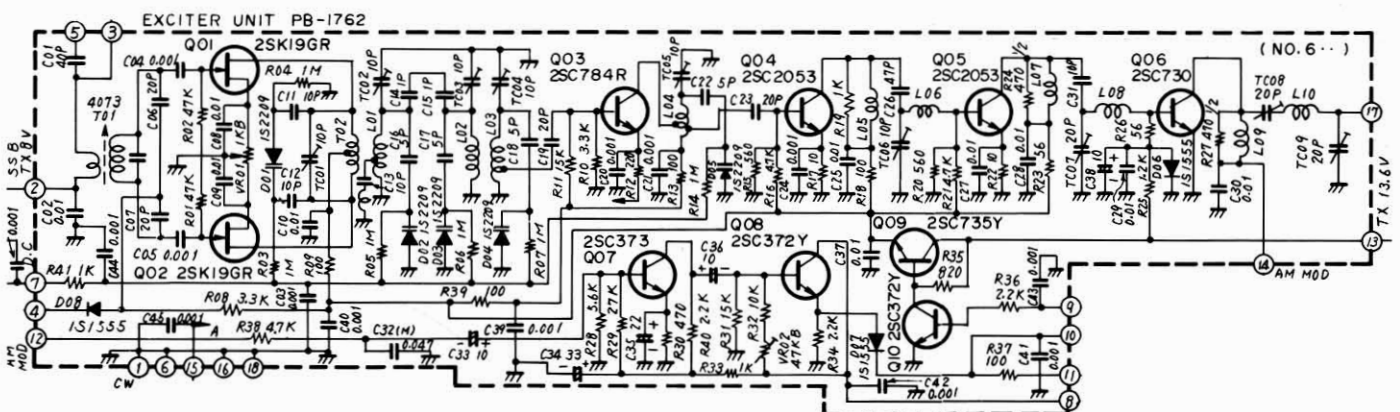
passes through the tuned circuits consisting of T<sub>602</sub> and L<sub>601</sub>—L<sub>603</sub>, which are tuned by varactor diodes D<sub>601</sub>—D<sub>604</sub> (1S2209), in which voltages are preset in accordance with the position of the bandswitch. Thus, the circuit is tuned exactly to the operating frequency, and spurious radiation is effectively eliminated. The signal is then amplified by the amplifier chain consisting of Q<sub>603</sub> (2SC784R), Q<sub>604</sub> and Q<sub>605</sub> (2SC2053), and Q<sub>606</sub> (2SC730), and delivered from pin 17 to the BOOSTER unit.

The DC voltage for Q<sub>601</sub> through Q<sub>604</sub> is supplied through Q<sub>609</sub> (2SC735Y). When the PLL circuit is unlocked, the controller transistor Q<sub>610</sub> (2SC372Y) stops conducting, and in turn Q<sub>609</sub> stops supplying DC voltage for Q<sub>601</sub>—Q<sub>604</sub>.

The speech signal from pin 22 of the MIC AMP unit is fed through the AM amplifier Q<sub>607</sub> (2SC373) and emitter follower Q<sub>608</sub> (2SC372Y) to the AM modulator Q<sub>2</sub> (2SD213D), which controls the supply voltage for Q<sub>606</sub> (2SC730).



MIC AMP UNIT



EXCITER UNIT

## BOOSTER UNIT (PB-1744, PB-1745)

The signal from the EXCITER unit is fed to the BOOSTER unit and amplified by the driver amplifier Q<sub>701</sub> (MRF212) and the final amplifier Q<sub>702</sub> (2N5591), which delivers 25 watts of RF power to the antenna through a two-stage low-pass filter.

The bias voltage is stabilized at 9 volts by zener diode D<sub>701</sub> (1N4732). Two diodes, D<sub>702</sub> and D<sub>703</sub> (both 10D1), are used to protect the final transistor from damage due to heating by reducing the bias voltage when the temperature rises. A small portion of the RF output is rectified by a diode D<sub>712</sub> (1S188FM), which delivers the resulting DC voltage to the meter, where an indication of the relative power output is provided.

The DC voltage obtained from rectifying a small portion of the RF output by the ALC diodes D<sub>707</sub> and D<sub>708</sub> (1S1555) is applied to the gate of Q<sub>207</sub> in the SSB IF unit and Q<sub>509</sub> in the MIC AMP unit. Diodes D<sub>707</sub> and D<sub>708</sub> are biased by the ALC threshold control VR<sub>703</sub>. Thus, the gain of Q<sub>207</sub> and Q<sub>509</sub> is controlled in order to control automatically the driving level to the PA transistor, in order to prevent any distortion caused by overdrive.

Blocking diodes D<sub>714</sub> and D<sub>715</sub> disconnect the supply voltage to Q<sub>702</sub> while the antenna is disconnected for marker calibration (analog model).

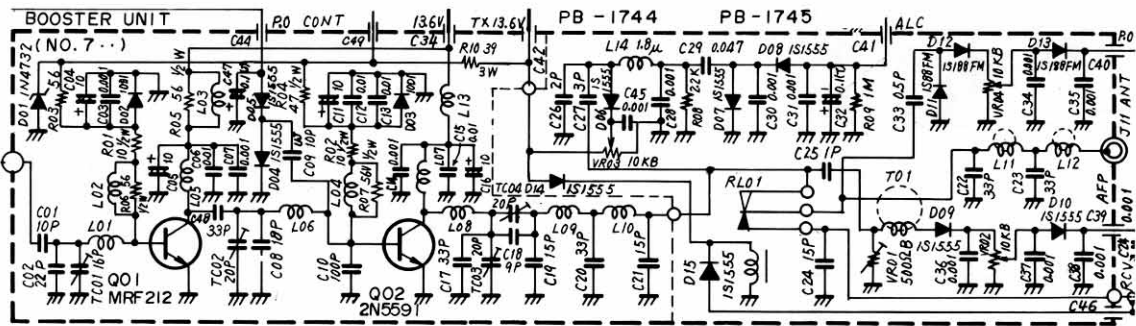
## TONE BURST UNIT (PB-1752)

When the PTT switch is activated, a DC voltage is applied to trigger Q<sub>1101</sub> (F-4011), which generates a pulse of duration 0.5 — 1 second. The pulse switches Q<sub>1103</sub> (2SC372Y) to supply DC voltage to Q<sub>1102</sub> (MSM5576), where the clock signal is divided by 1024, 2048, or 4096, producing an accurate tone burst frequency. The burst signal is fed to the base of the MIC amplifier Q<sub>1104</sub> (2SC1000GR).

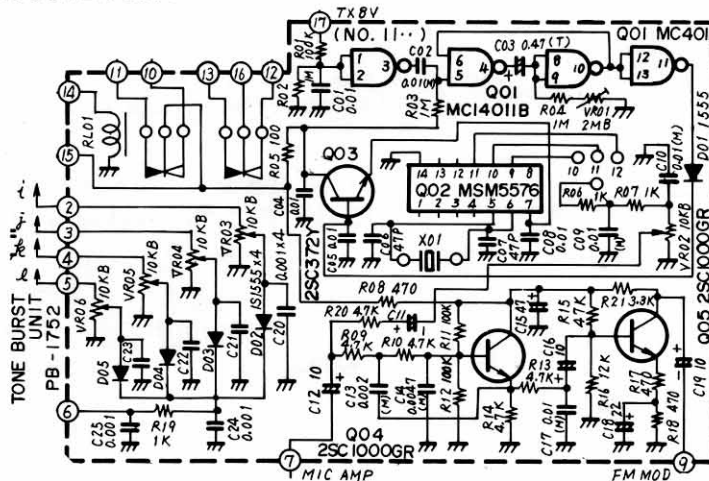
The tone duration is set by VR<sub>1101</sub>, and the tone level is set by VR<sub>1102</sub>.

The exact tone frequency is determined by a crystal and the plug position, as described in the OPERATION section.

In the European model, the tone burst signal is activated by depressing the BURST switch.



BOOSTER UNIT



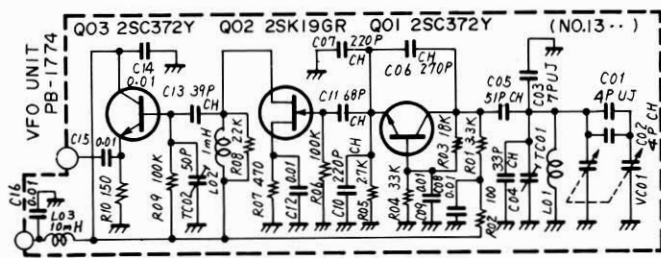
TONE BURST UNIT

## COMMON CIRCUITS

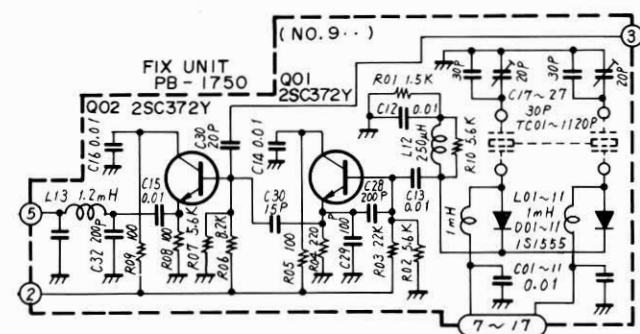
The FT-225RD utilizes a phase locked loop (PLL) system for the heterodyne oscillator, which provides a stable signal varying from 133.3 to 137.3 MHz, thus providing coverage of the entire 2 meter band.

### VFO UNIT (PB-1774)

The VFO module board is installed in the VFO chassis. The VFO (variable frequency oscillator) Q<sub>1301</sub> (2SC372Y) generates an 8,200 to 9,200 kHz signal, thus producing a 1 MHz tuning range. Frequency drift is minimized through the use of a temperature compensation circuit utilizing a differential trimmer capacitor. The signal is fed through the amplifier buffer stage Q<sub>1302</sub> (2SK19GR) and Q<sub>1303</sub> (2SC372Y) to pin 3 of the FIX oscillator board. The buffer amplifier provides isolation and amplification of the VFO signal.



VFO UNIT



FIX UNIT

### FIX UNIT (PB-1750)

In addition to VFO or optional memory operation, 11 crystals may be employed for crystal controlled operation with the selector switch located on the front panel.

The FIX channel crystal oscillator Q<sub>901</sub> (2SC372Y) oscillates at the frequency of the crystal selected by the diode switch D<sub>101</sub> — D<sub>111</sub> (1S1555). The output is fed from pin 8 through the buffer amplifier Q<sub>902</sub> (2SC372Y) to the PLL UNIT.

The signal from the VFO also passes through this buffer stage and through jumper J<sub>26</sub> or the memory unit to the PLL unit.

The crystal frequency falls between 8,200 kHz and 9,200 kHz, and is determined by the formula  $f_x = f_0 - f_1$  where  $f_x$  is the crystal frequency,  $f_0$  is the operating frequency, and  $f_1$  is a constant found in Table 3 on page 14.

### LOCAL UNIT (PB-1805)

The local oscillator generates a heterodyne signal which is used to convert the VCO (voltage controlled oscillator) signal into an 8,200 — 9,200 kHz signal; this is used for the comparison of the phase with that of the reference VFO signal.

The crystal controlled oscillator Q<sub>801</sub> (2SC372Y) oscillates at the fundamental frequency of the crystal. A varactor diode D<sub>813</sub> (1SV50), connected to the base of Q<sub>801</sub>, is used as a clarifier to shift the oscillator frequency for offset tuning.

The output from the oscillator is fed to the frequency multiplier stage Q<sub>802</sub> and Q<sub>803</sub> (both 2SC784R), producing the ninth harmonic at its output. The crystal is selected by a diode switch connected to the bandswitch. The relation between the frequency and band is shown in Table 1. The multiplied signal is then fed from pin 33 to the PLL unit.

For repeater operation, a fundamental crystal at 14.0555 MHz, X<sub>807</sub>, is used to generate a heterodyne signal of 126.5 MHz, when the bandswitch is set to the 144, 145, or 146 MHz bands. X<sub>808</sub> (fundamental frequency 14.300 MHz) is used to

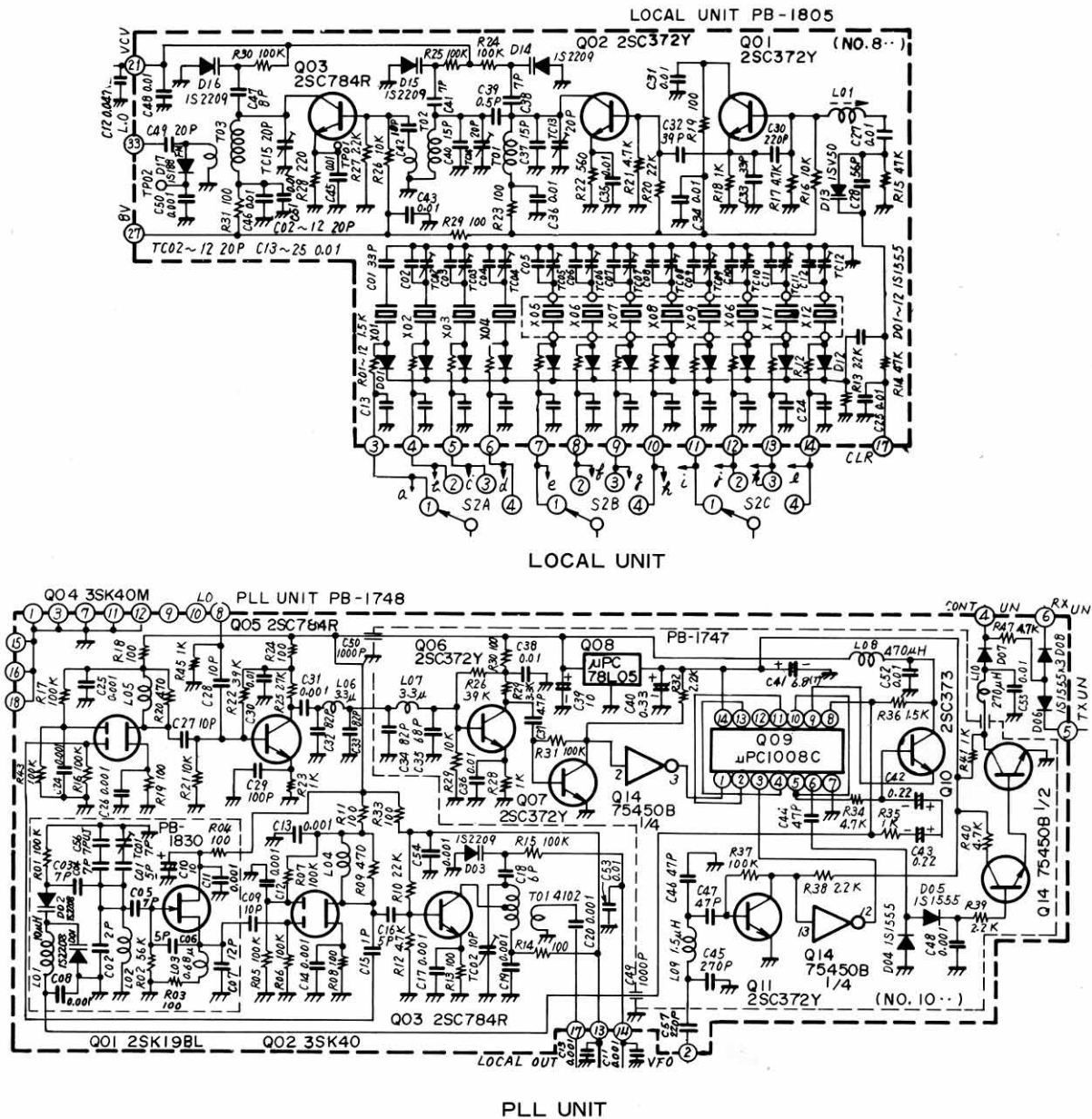
generate a 128.7 MHz signal, which is 600 kHz higher than the normal heterodyne signal, when the bandswitch is set to the 147 MHz band. A relay, RL<sub>1101</sub>, which is located on the TONE BURST unit, is used to select the above crystals when the RPT switch S<sub>1505</sub> is activated.

When the RPT switch is in the NOR position, the crystals are selected as above. When the RPT switch is placed in the REV position, the receive frequency is shifted down in the 144, 145, and 146 MHz bands, and the receive frequency is shifted up in the 147 MHz band. In the REV position, the analog dial indicates the transmit frequency, while the digital display indicates the receive and transmit frequencies properly.

### PLL UNIT (PB-1748)

The PLL unit generates a heterodyne signal for the transmitter and receiver mixer in conjunction with the phase locked oscillator.

A voltage controlled oscillator Q<sub>1001</sub> (2SK19GR) generates a signal between 133.3 and 137.3 MHz, which is determined by L<sub>1002</sub> and D<sub>1001</sub>/D<sub>1002</sub> (both 1S2208). The output from Q<sub>1001</sub> is fed through a two-stage buffer amplifier consisting of Q<sub>1002</sub> and Q<sub>1004</sub> (both 3SK40M), to the mixer Q<sub>1005</sub> (2SC784R), where the signal is mixed with the 125.1 MHz signal delivered from the local oscillator, thus producing an 8.2–9.2 MHz comparison signal.





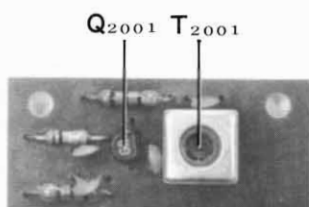
The comparison signal is amplified by Q<sub>1006</sub> and Q<sub>1007</sub> (both 2SC372Y), and the wave is shaped by Q<sub>1014</sub> (SN75450B). The output of Q<sub>1014</sub> is fed to a phase comparator Q<sub>1009</sub> (MC4044P), which compares the phase of the comparison signal against that of the reference signal, and any difference is converted into an error correcting DC voltage. The DC voltage is amplified by Q<sub>1002</sub> to control the frequency of the VCO.

When the VCO is unlocked, the pulse signal appearing at pin 6 of Q<sub>1009</sub> is rectified by D<sub>1004</sub> and D<sub>1005</sub> (both 1S1555). The rectified DC voltage is amplified by Q<sub>1014</sub> and fed to the counter unit to turn the LED's off, indicating that the VCO is unlocked.

The DC voltage switches Q<sub>401</sub> in the AF AMP unit to quiet the receiver when the PLL is unlocked. In transmit, this voltage switches Q<sub>610</sub> in the EX-CITER unit to turn the transmitter off.

#### OSC UNIT (PB-1761) (Digital model only)

The unit is installed in the digital model to produce a 129.3 MHz heterodyne signal for the counter. A crystal controlled oscillator Q<sub>1701</sub> (2SC373) oscillates on 14.3667 MHz, and its output is multiplied 9 times by triplers Q<sub>1702</sub> and Q<sub>1703</sub> (both 2SC710), producing the 129.3 MHz heterodyne signal. The diode switch connected in series with crystal X<sub>1701</sub> compensates the frequency when changing modes.



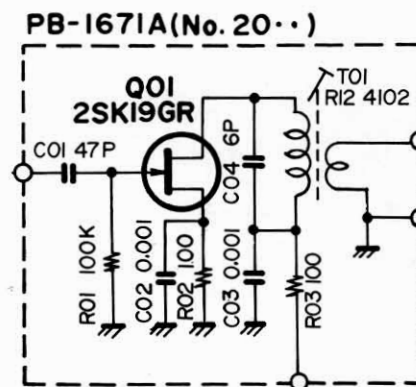
#### COUNTER UNIT (PB-1734, PB-1735)

The frequency of operation is indicated in MHz, kHz, and to 100 Hz resolution by seven large LED's.

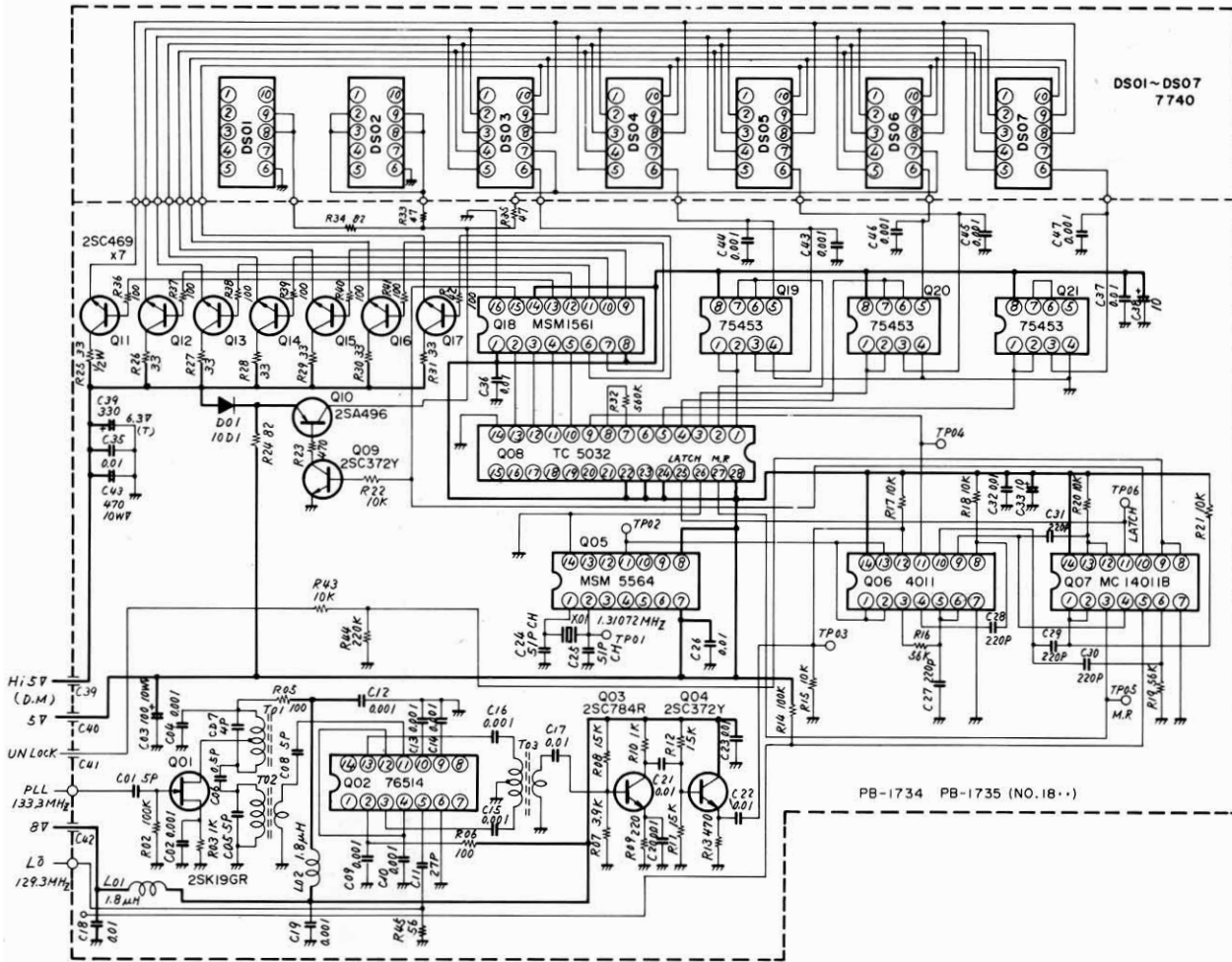
The heterodyne signal for the counter is delivered to pin 5 from the PLL unit, and amplified by Q<sub>1801</sub> (2SK19GR). It is then fed to the double balanced mixer Q<sub>1802</sub> (SN76514), where the signal is mixed with the 129.3 MHz heterodyne signal, producing a 4 to 6 MHz signal at its output.

The 4 — 6 MHz signal is amplified by Q<sub>1803</sub> (2SC-784R) and fed through a waveform shaper Q<sub>1804</sub> (2SC372Y) to a counter gate Q<sub>1806</sub> (F4011), which counts the pulses which pass while the gate is opened. The pulses are fed to the six digit decade counter Q<sub>1808</sub> (TC5032P), which counts 100 Hz, 1 kHz, 10 kHz, 100 kHz, and 1 MHz. The BCD output signal from Q<sub>1808</sub> is fed through LED dimmer Q<sub>1818</sub> (MSM561) and Q<sub>1811</sub> — Q<sub>1817</sub> (all 2SC496) to the display LED's, Q<sub>1822</sub> — Q<sub>1828</sub> (all HP5082-7740). Q<sub>1819</sub> — Q<sub>1821</sub> (SN75453) work as a series of switches operated by a timing signal delivered by Q<sub>1808</sub> to select the output of Q<sub>1808</sub> which drives the display in the sequence 100 Hz, 1 kHz, 10 kHz, 100 kHz, 1 MHz.

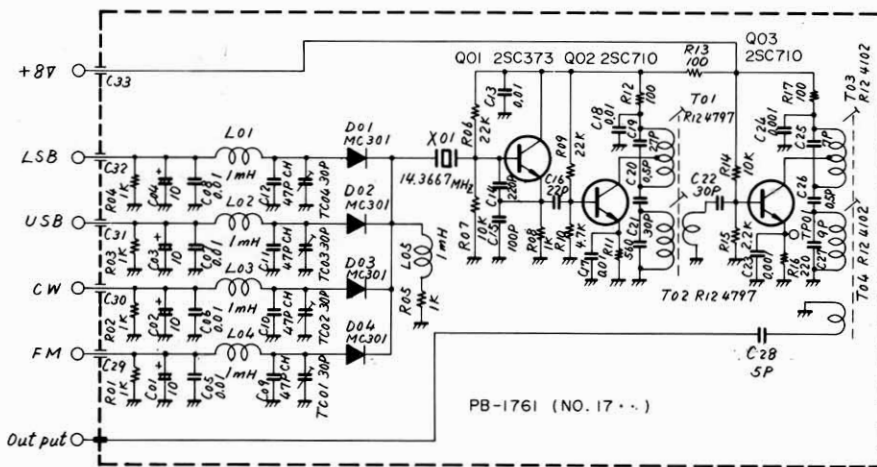
When the unlock signal is received from the PLL unit, Q<sub>1809</sub> (2SC372Y) and Q<sub>1810</sub> (2SA496) generate a blanking signal to the LED driver.



VFO BUFFER UNIT



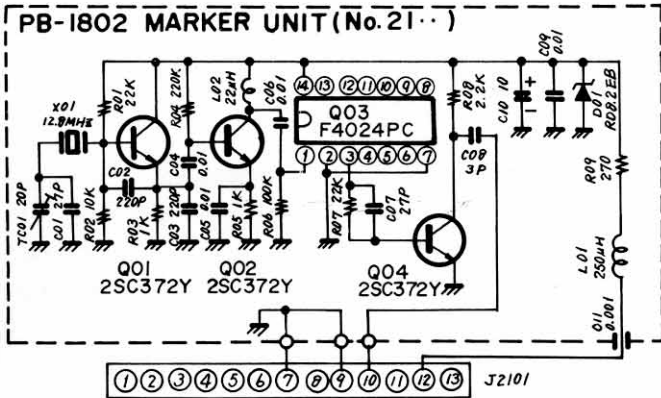
COUNTER UNIT



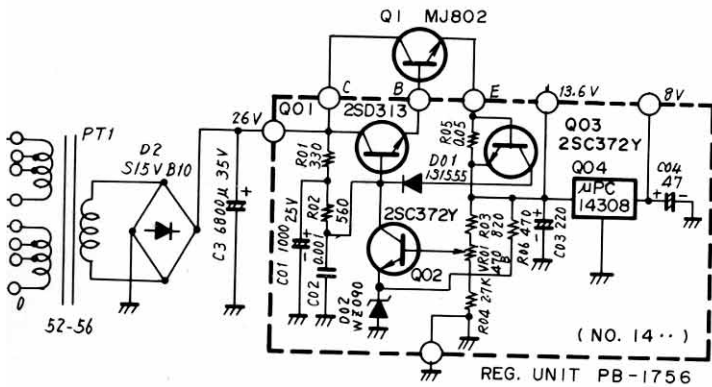
OSC UNIT

**MARKER UNIT (PB-1802) (Analog model only)**

The crystal marker generator Q<sub>2101</sub> (2SC372Y) generates a 12.8 MHz signal, and its output is fed through buffer amplifier Q<sub>2102</sub> (2SC372Y) to frequency divider Q<sub>2103</sub> (34024PC), where the 12.8 MHz signal generates a 100 kHz marker signal. The marker signal is fed through a buffer amplifier Q<sub>2104</sub> (2SC372Y) to the RX RF unit. When the marker switch is activated, the antenna relay is actuated, disconnecting the antenna.



MARKER UNIT



REG UNIT

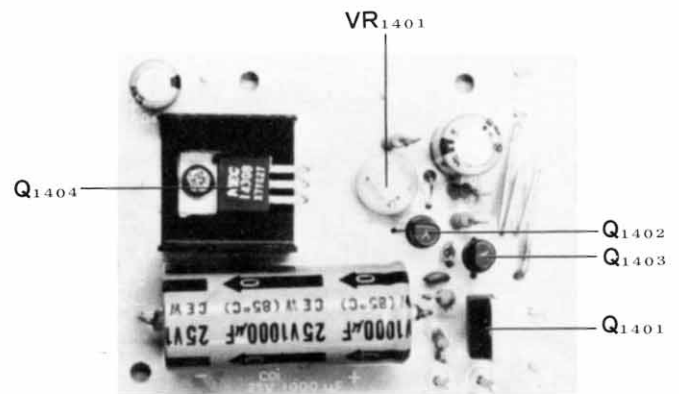
**POWER SUPPLY & REGULATOR UNIT (PB-1469)**

The power supply has been designed to operate from 100/110/117/200/220/234 V AC 50/60 Hz, or 12 V DC, negative ground. Inserting the appropriate power cord into the rear panel receptacle makes the necessary connections for operation from an AC or DC supply.

For AC operation, the DC voltage is supplied from the bridge rectifier unit D<sub>2</sub> (S15VB10), which is connected to a 20 volt, 6 amp secondary winding of the power transformer. The DC voltage is regulated at 13.6 volts by the voltage regulator circuit consisting of Q<sub>1401</sub> (2SD313D) and Q<sub>1</sub> (MJ802).

Since such circuits as the VFO, local oscillator, and PLL require an extremely stable voltage, the 13.6 V DC supply is further stabilized at 8 volts by voltage regulator Q<sub>1404</sub> (μPC14308). Q<sub>1403</sub> (2SC372Y) switches to disable the voltage regulator (consisting of Q<sub>1</sub> and Q<sub>1401</sub>) when the current exceeds the preset value.

For DC operation, the positive voltage is connected to pin 3 and the negative voltage to pin 4 of power receptacle J<sub>1</sub>. To protect the circuits from reversed polarity of the DC voltage, D<sub>1</sub> (U05B) conducts heavily under reversed polarity conditions to blow the line fuse in the DC cord. It is placed between pin 3 and ground on J<sub>1</sub>.



REG UNIT (PB-1756)

# MAINTENANCE & ALIGNMENT

## GENERAL

Your FT-225RD transceiver has been carefully aligned and tested at the factory prior to shipment. The reliability of the solid-state devices used in the FT-225RD should provide years of trouble-free service if the transceiver is not abused, and if routine maintenance is carried out.

The following precautions should be observed, so as to prevent damage to the transceiver:

- (1) Do not interchange the AC and DC power cords.
- (2) Do not apply any AC voltage other than that voltage determined by the transformer primary winding.
- (3) When replacing fuses, be certain to use a fuse of the proper rating for the voltage being used.
- (4) Do not exceed 14 volts DC, at the POWER receptacle, for DC operation. When operating mobile, the battery voltage should be measured with the battery under load (transmitter "keyed" in the FM mode), with the engine running fast enough so that the ammeter shows a "charge". In addition, do not operate the FT-225RD if the supply voltage is less than 12 volts DC.
- (5) Avoid direct exposure to sunlight or water.

## ROUTINE MAINTENANCE

Routine maintenance should be limited to keeping the transceiver clean, and performing occasional performance checks of the transmitter RF power output and the receiver sensitivity.

### Cleaning:

When the transceiver has been used in a dusty or sandy environment, the interior should be cleaned periodically. A vacuum cleaner or low pressure air blower should be used.

Accumulated dirt may be removed with a soft brush. Check that the interior is thoroughly dry before replacing the cabinet and/or operating the equipment. Wipe the exterior with a damp cloth when necessary.

## PERFORMANCE CHECKS

Make all performance checks at 13.6 volts DC (under load), or on the appropriate AC voltage as determined by the transformer primary wiring.

### Check the transmitter as follows:

- (a) Connect a suitable 50 ohm dummy load/RF wattmeter to the ANT receptacle.
- (b) Set the MODE switch to the FM position, and key the transmitter while observing the power output, which should be approximately 25 watts. At full power, the S-meter should indicate between 6 and 8 on the relative power output scale.
- (c) Set the MODE switch to SSB, and key the transmitter. Speak in a normal voice into the microphone. The output meter should indicate between 3 and 5 nominally.

### Check the receiver sensitivity as follows:

- (a) Connect an AC VTVM to the SP jack. Set the MODE switch to the FM position, and set the SQUELCH control fully counterclockwise.
- (b) Connect the RF output of a precision VHF signal generator to the ANT receptacle and note the VTVM reading with no signal input. Adjust the AF GAIN control and the VTVM range, as required, to obtain a full scale VTVM reading. Do NOT change the setting of the AF GAIN control after this calibration has been made.
- (c) Set the signal generator to the receiving frequency of the transceiver, and adjust the output amplitude of the signal generator until the VTVM reads 1/100th (20 dB decrease) of the reading in step (b). The signal generator output voltage at this point is the 20 dB quieting sensitivity, and it should be approximately  $0.35 \mu\text{V}$ .
- (d) Set the MODE switch to SSB, and connect the AC VTVM to the speaker output. Apply an unmodulated  $0.5 \mu\text{V}$  signal from the signal generator, and tune the transceiver tuning dial for a maximum VTVM reading.
- (e) Advance the RF Gain control to the fully clockwise position, and adjust the AF GAIN control for a reading of 450 mV on the VTVM.

- (f) Reduce the signal generator output, and read the VTVM; the VTVM reading should be less than 45 mV for a 10 dB S/N ratio.

If the above checks indicate a need for realignment, it is recommended that the unit be returned to the dealer for this procedure. Alignment requires special test equipment not normally available to the average station owner. Adjustment of the tuned circuits without the proper equipment or technical expertise will result in degraded transmitter performance.

## ALIGNMENT

**SOME OF THE FOLLOWING ALIGNMENT PROCEDURES REQUIRE SPECIAL TEST EQUIPMENT AND TECHNICAL KNOWLEDGE, AND SHOULD ONLY BE ATTEMPTED BY AN EXPERT TECHNICIAN.**

### AF AMP UNIT (PB-1764)

(1) **CW Semi-break-in**

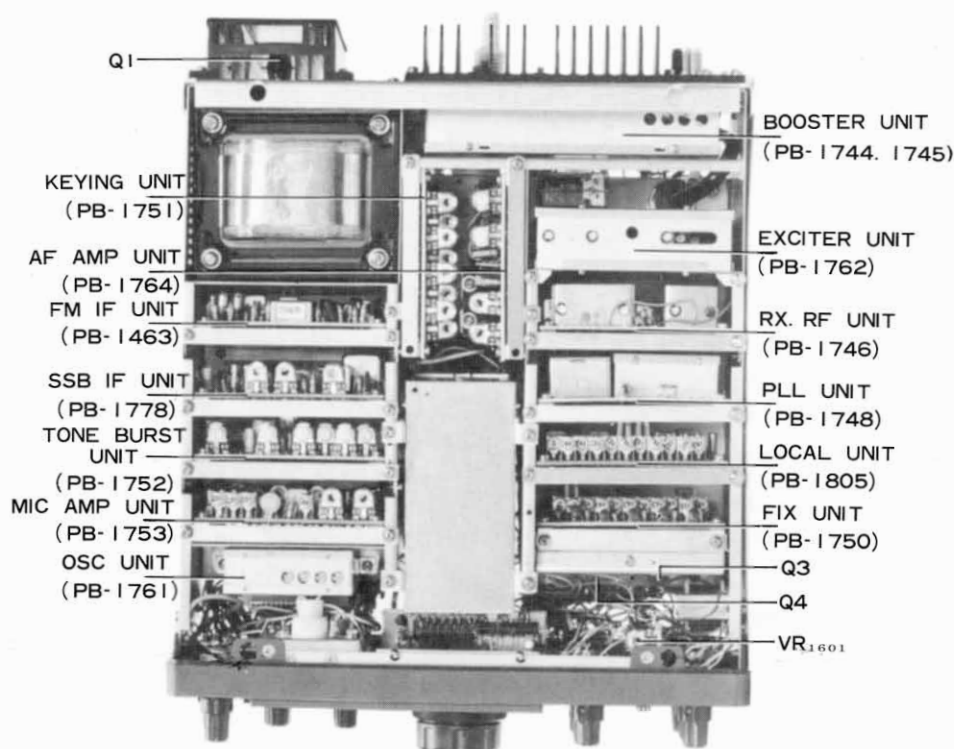
Adjust VR<sub>401</sub>, the DELAY control, for the desired relay hold time.

(2) **CW Sidetone Level**

Adjust VR<sub>403</sub> for the desired sidetone level.

(3) **Antitrip**

Set the ANTITRIP control, VR<sub>402</sub>, to the minimum point that will prevent the speaker output from activating the VOX. The DELAY control, VR<sub>401</sub>, may be adjusted for the desired relay hold time.



TOP VIEW

#### (4) Discriminator Center Meter

Set the controls as follows:

CHANNEL . . . VFO

MODE . . . . . FM

DISC . . . . . OFF (S-meter position)

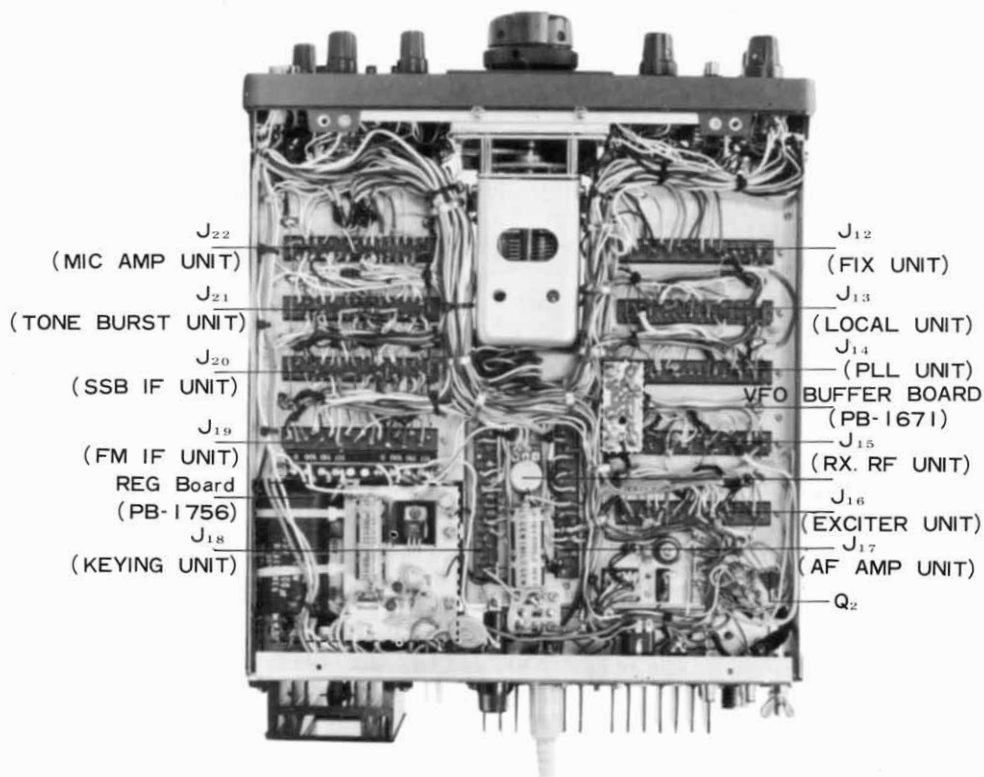
RF GAIN . . . Fully clockwise

MARKER . . . ON (Analog model; for RD,  
connect signal generator to  
antenna receptacle)

Tune the transceiver for a maximum S-meter reading on the marker or signal generator signal. Tune the main dial so as to find the center of the maximum signal indication. Place the meter switch in the DISC position, and adjust the center potentiometer VR<sub>404</sub> so that the meter pointer is exactly at midscale on the meter. Check to see that the meter moves an equal amount on either side of the center for an equal frequency excursion. Shift the VFO frequency 10 kHz lower than the reference signal, and adjust the DISC potentiometer, VR<sub>405</sub> for a meter reading of 2 on the DISC scale.



AF AMP UNIT (PB-1764)



BOTTOM VIEW

## MARKER UNIT (PB-1802) (Analog model only)

### (1) Frequency Adjustment

Connect a frequency counter, through a 100 pF capacitor, to the collector of Q<sub>2102</sub> (2SC372Y). Adjust TC<sub>2101</sub> to set the crystal frequency exactly to 12.800 MHz. If a frequency counter is not available, use an external HF receiver, and zero the 100 kHz marker signal against WWV or JJY.

### CW KEYING UNIT (PB-1751)

#### Voltage Adjustment for the Varicap Tuning Circuit

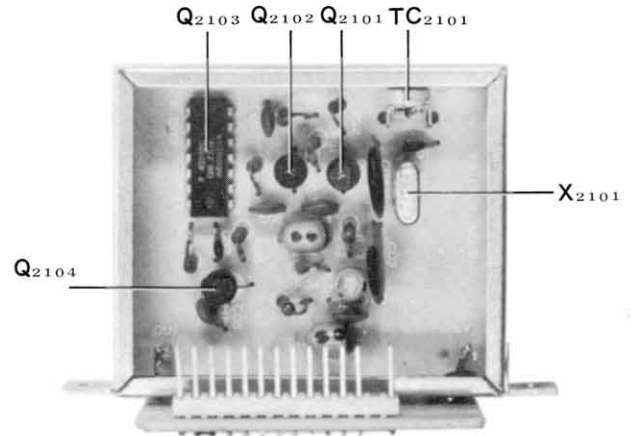
Measure the voltage at pins 2, 3, 4, 5, 14, 15, 16, and 17, with the VTVM connected between ground and the pin under test.

Adjust the appropriate potentiometer, VR<sub>1201</sub> — VR<sub>1208</sub>, for the following pin voltages.

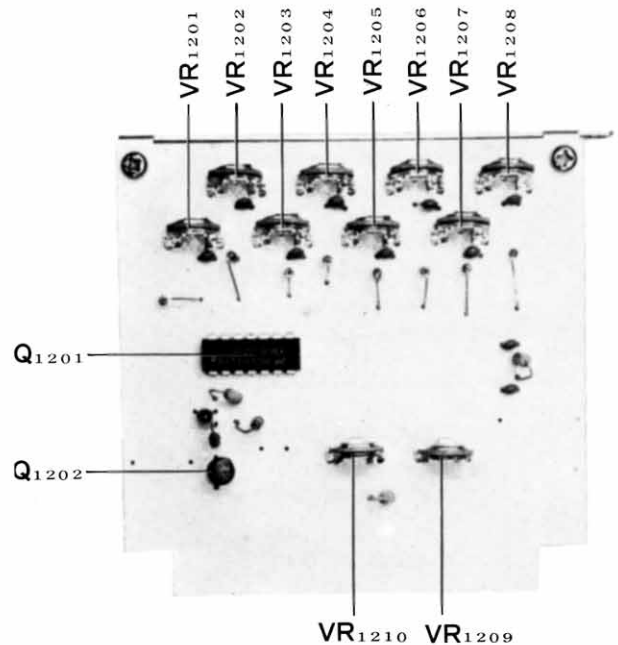
|         | BAND    | VOLTAGE |                     |
|---------|---------|---------|---------------------|
| VR 1201 | 144     | 2.5 V   |                     |
| VR 1202 | 145     | 3.5 V   |                     |
| VR 1203 | 146     | 4.5 V   |                     |
| VR 1204 | 147     | 5.5 V   |                     |
| VR 1205 | 144 RPT | 1.9 V   | ★ TX - 600kHz shift |
| VR 1206 | 145 RPT | 2.9 V   | "                   |
| VR 1207 | 146 RPT | 3.9 V   | "                   |
| VR 1208 | 147 RPT | 5.9 V   | ★ TX + 600kHz shift |

TUNE control 12 O'clock

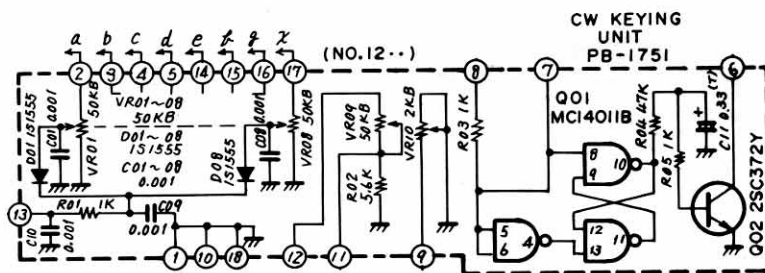
★ US model



MARKER UNIT (PB-1802)



CW KEYING UNIT (PB-1751)



CW KEYING UNIT

## SSB IF UNIT (PB-1778)

### (1) S-Meter Setting

Disconnect the antenna from the coax receptacle. Set the MODE switch to the AM position, and set the RF GAIN control to the fully clockwise position. Adjust VR<sub>201</sub> ("ZERO") until the meter indicates zero. Then set the RF GAIN control fully counter-clockwise. Adjust VR<sub>202</sub> ("FULL SCALE") until the meter reads full scale. Return the RF GAIN control to the fully clockwise position, and connect a signal generator to the antenna receptacle. Set the output of the signal generator to 144.5 MHz with an output of 0 dB, and tune the receiver to the generator signal. Place the TUNE control in the 12 o'clock position, and adjust VR<sub>203</sub> for a reading of S3 on the S-meter. Repeat the above procedures until the full scale, zero, and S3 readings are achieved for the above settings.

## MIC AMP UNIT (PB-1753)

### (1) SSB Carrier Frequency

Connect a 50 ohm dummy load, such as the Yaesu YP-150, to the antenna receptacle, and connect the output of an audio oscillator to the microphone input. Set the MODE switch to an SSB mode. Apply a 1 kHz audio signal to the microphone input, and adjust the SSB MIC GAIN control or the audio oscillator output for an RF output of 10 watts as indicated on the wattmeter. Change the audio frequency to 350 Hz, and adjust TC<sub>503</sub> for LSB and TC<sub>502</sub> for USB to obtain 2.5 watts output. Change the audio frequency to 2600 Hz; the RF output should be 2.5 watts.

### (2) AM and CW Carrier Frequency

Tune the transceiver in the USB mode into a dummy load, and use another receiver to monitor the transmitted signal. Tune the external receiver until the transmitted voice quality is natural. Change the FT-225RD to AM (leave the external receiver in the USB mode), and adjust TC<sub>501</sub> for a zero beat as heard in the external receiver.

### (3) Carrier Balance

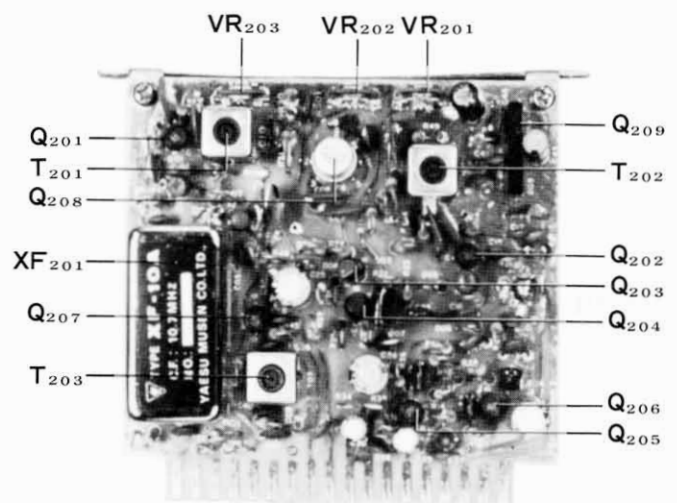
Connect a dummy load to the antenna receptacle, and the RF probe of a VTVM to the center conductor of the antenna receptacle. Set the MODE switch to LSB. Set the SSB MIC GAIN control to

the fully counter-clockwise position, and set the VOX GAIN switch to the MOX position. Adjust VR<sub>505</sub> and TC<sub>504</sub> ("CARRIER BALANCE") alternately to minimize the VTVM reading.

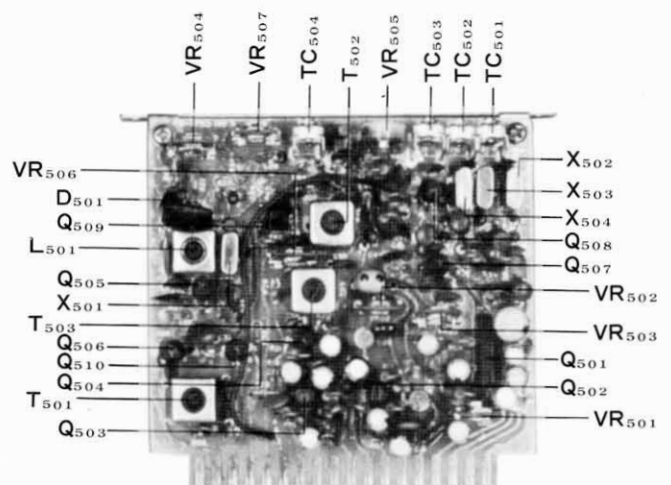
Repeat this procedure on USB, then repeat the procedure, so that a minimum reading is obtained on both sidebands.

### (4) CW Carrier Level

Set the CW level control, VR<sub>507</sub>, to the point where the RF output no longer increases when the control is advanced.



SSB IF UNIT (PB-1778)

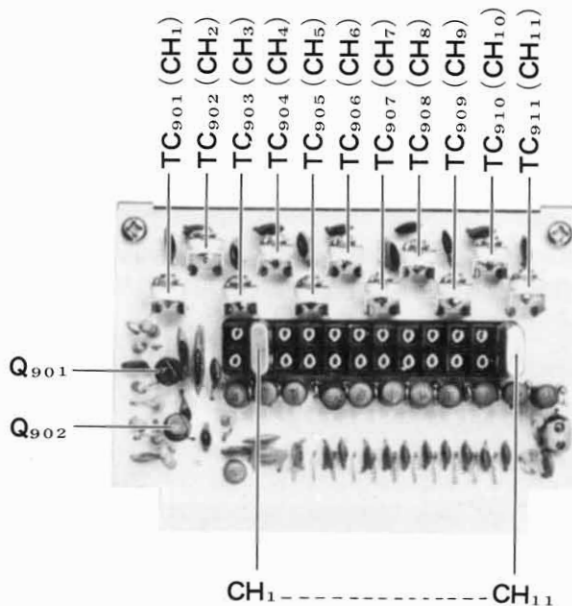


MIC AMP UNIT (PB-1753)



## FIX UNIT (PB-1750)

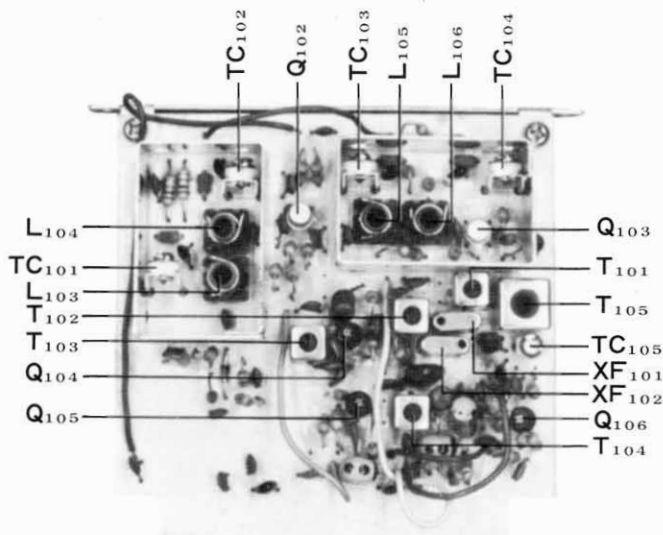
Precise frequency alignment of the fixed channel crystals may be made by adjusting TC<sub>901</sub> – TC<sub>911</sub>.



FIX UNIT (PB-1750)

## RX RF UNIT (PB-1746)

Set the BAND switch to 144, the CHANNEL switch to VFO, the RF GAIN control fully clockwise, and the MODE switch to USB. Tune the VFO to a 10 dB signal at 144.500 MHz from a signal generator connected to the antenna receptacle. Peak TC<sub>101</sub>, TC<sub>102</sub>, TC<sub>103</sub>, and TC<sub>104</sub> for a maximum S-meter reading. If the majority of your operating is done in the upper part of the band (146 – 148 MHz), it is recommended that this alignment be performed on 146.5 MHz.



RX RF UNIT (PB-1746)

## EXCITER UNIT/BOOSTER UNIT (PB-1762), (PB-1744), (PB-1745)

### (1) Power Output

It is recommended that an insulated alignment tool be used for this alignment. Connect a dummy load to the antenna receptacle. Set the BAND switch to 145, the CHANNEL switch to VFO, and the MODE switch to FM. Set the VFO to 145.00 MHz, and set the VOX GAIN control to the MOX position. Peak TC<sub>601</sub> – TC<sub>609</sub> and TC<sub>701</sub> – TC<sub>704</sub> for maximum power output.

Change the frequency to 144.1 MHz and repeat the above procedures for maximum power output. Change the frequency to 147.9 MHz and repeat the above procedures for maximum power output.

Repeat the above alignments alternately on 144.1, 145.0, and 147.9 MHz until unity power output is obtained across the band.

### (2) PO Meter Set

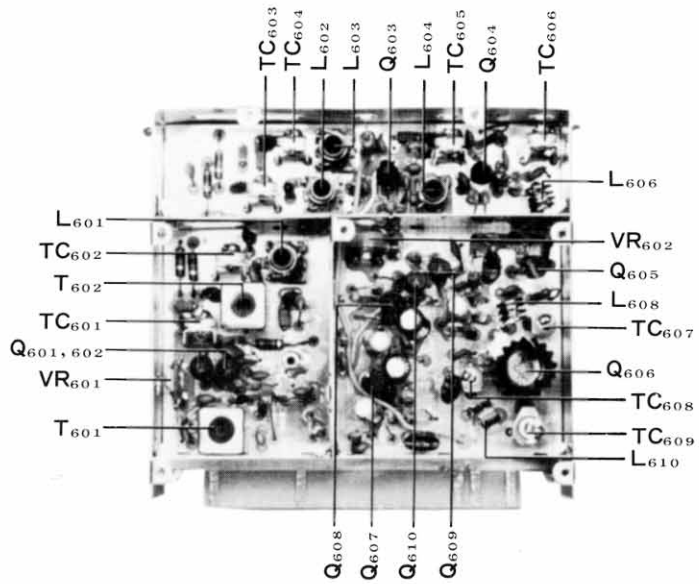
The PO (Power Output) meter indicates relative power output. After completion of the above power output alignment, set the meter control VR<sub>704</sub> to the point where the meter pointer indicates 80% of full scale at full output.

### (3) AM Carrier Level

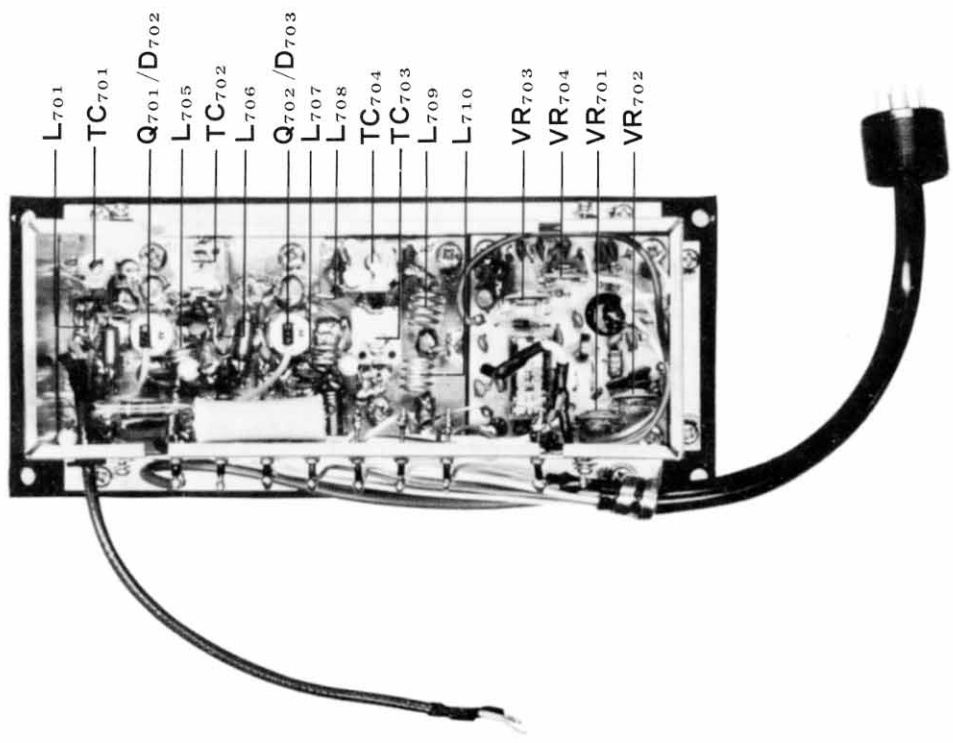
Set the MODE switch to AM. Adjust VR<sub>602</sub>, in the EXCITER UNIT, for 8 watts unmodulated carrier output into a dummy load.

### (4) ALC Threshold

Connect the output from a two-tone signal generator to the microphone input, and connect a dummy load/wattmeter to the antenna receptacle. Set the BAND switch to 145, the CHANNEL switch to VFO and the MODE switch to USB. Set the VOX GAIN control to the MOX position. Apply a 1 kHz single tone signal to the microphone input, and adjust the signal generator output until the power meter shows 2.5 watts. Then apply a 1.5 kHz tone, and adjust its level to produce 2.5 watts output. Leaving these levels at the preset position, apply the 1 kHz/1.5 kHz two-tone signal, and adjust VR<sub>703</sub> for a power output of 3 watts.



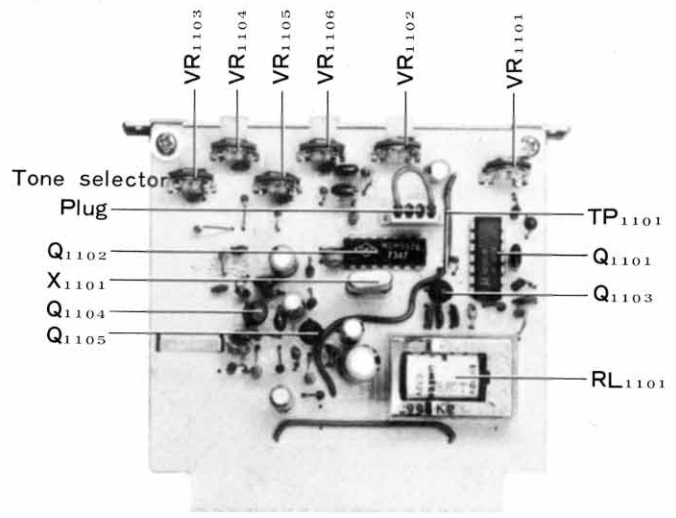
Exciter unit (PB-1762)



BOOSTER UNIT (PB-1744, 1745)

**TONE BURST UNIT (PB-1752)**

The burst signal is automatically transmitted when the PTT switch on the microphone is keyed, and when the BURST button is depressed. The length of the burst signal is preset at the factory for approximately 0.5 second. Adjustment of the burst length is made by VR1101. Clockwise rotation increases the length of the burst.



TONE BURST UNIT (PB-1752)

## LOCAL UNIT (PB-1805)

Set the MODE switch to USB, the BAND switch to 144.0, and the CHANNEL switch to VFO. Connect a frequency counter to pin 33 of J<sub>13</sub>. Adjust L<sub>801</sub> to 125.1 MHz ±100 Hz. Set the BAND switch to 145.0, and adjust TC<sub>802</sub> to 126.1 MHz ±100 Hz. In like fashion, adjust TC<sub>803</sub> for 127.1 MHz ±100 Hz for 146.0 MHz, and TC<sub>804</sub> to 128.1 MHz ±100 Hz for 147.0 MHz.

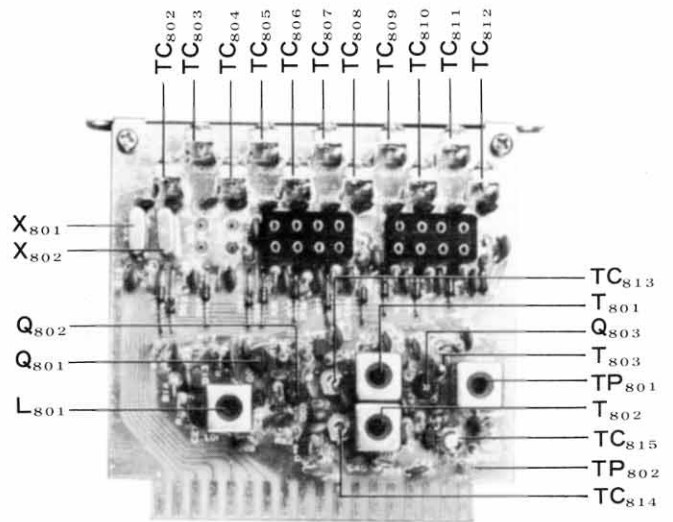
Set the RPT switch to NORM, the AUX/600 kHz switch to 600 kHz, and the BAND switch to 144.0 MHz, and adjust TC<sub>806</sub> to 125.5 MHz ±100 Hz. Likewise, adjust TC<sub>807</sub> to 126.5 MHz ±100 Hz for 146.0 MHz, and TC<sub>808</sub> to 127.5 MHz ±100 Hz for 147.0 MHz.

Disconnect the frequency counter and connect it to pin 5 of J<sub>12</sub>. Adjust the main tuning dial for a reading of 8200 kHz on the frequency counter. Set the analog sub-dial to zero. Adjust TC<sub>1802</sub> on PB-1761 until the digital display reads 144.0015 MHz, making sure that the MODE switch is still on USB. Adjust TC<sub>1801</sub> for a reading of 143.9985 with the MODE switch on LSB; adjust TC<sub>1804</sub> for a reading of 144.0000 on FM; adjust TC<sub>1803</sub> to 143.9993 MHz on CW, transmit mode.

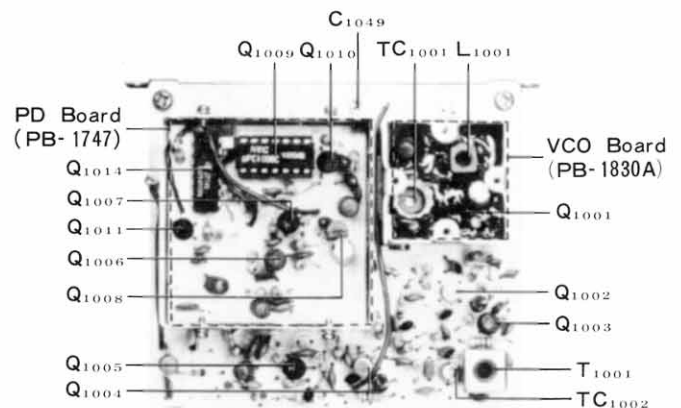
## PLL UNIT (PB-1748)

This unit does not require any adjustment unless major components are changed, and if this happens, precise measuring equipment is required for alignment. The following simple alignment can, though, be made:

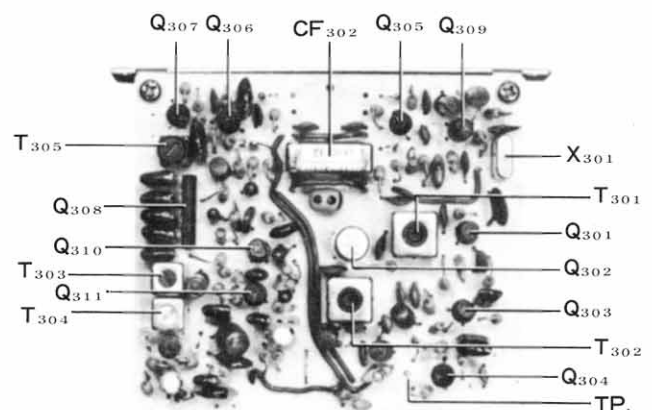
Turn the transceiver to 144.0000 MHz. Connect a VTVM DC probe to C<sub>1049</sub> (feedthrough capacitor) and adjust TC<sub>1001</sub> for a reading of exactly 1.75 volts on the VTVM. Check to see that the PLL circuit locks at all frequencies.



LOCAL UNIT (PB-1085)



PLL UNIT (PB-1748, 1747, 1830)



FM IF UNIT (PB-1463)

## SQUELCH THRESHOLD

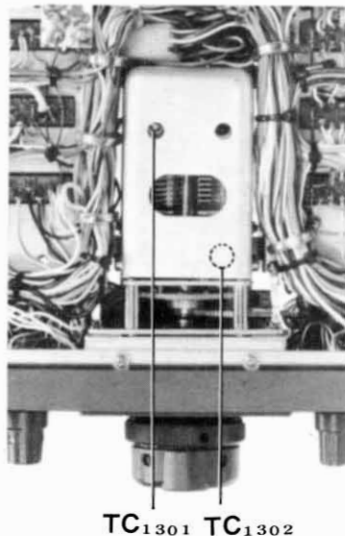
Disconnect the antenna from the receptacle. Set the BAND switch to 144, the CHANNEL switch to VFO, the RF GAIN control fully clockwise, the MODE switch to FM, and the SQUELCH control to the 9 o'clock position. Adjust VR<sub>6</sub> to the point where the receiver is just silenced. Do not go beyond this threshold point, or the SQUELCH control will not function properly.

## FM DEVIATION ADJUSTMENT

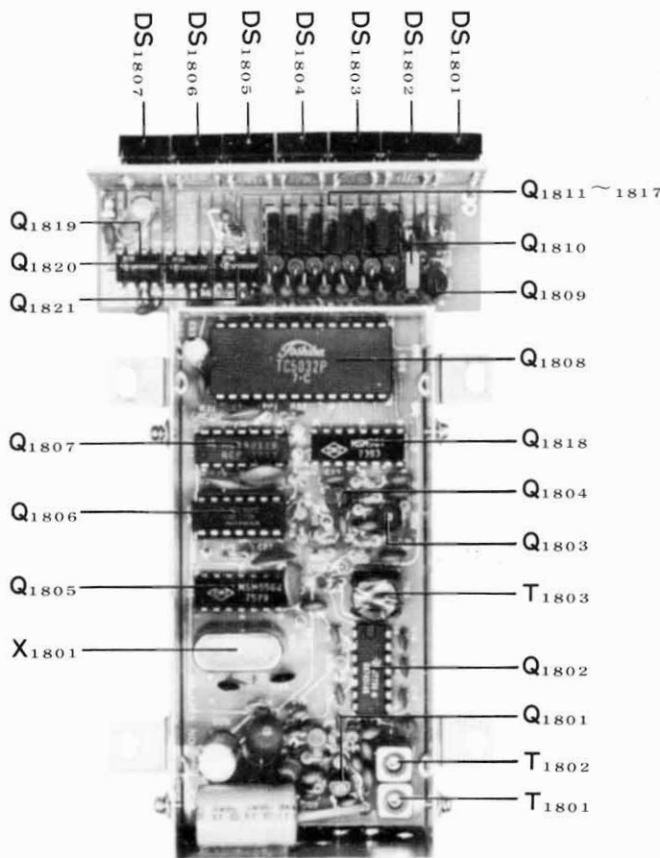
Connect a dummy load and an FM deviation meter to the antenna receptacle, and connect the output of an audio oscillator to the microphone input. Set the MODE switch to FM and the VOX GAIN control to MOX. Set VR<sub>501</sub> to the fully clockwise position, and VR<sub>504</sub> to the center of its range.

Apply a 1 kHz 3 mV audio signal to the microphone input. Observe the wave form on the oscilloscope display which is connected to a frequency deviation meter. Adjust VR<sub>504</sub> until a sine wave is obtained in the scope pattern.

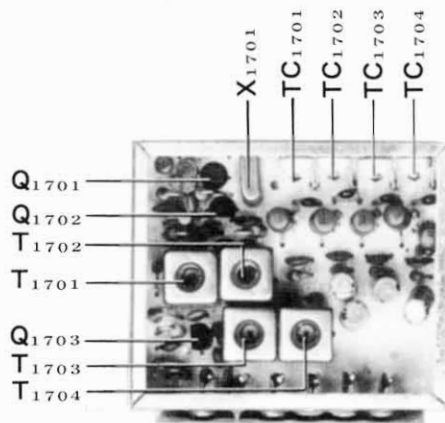
Connect a frequency counter to pin 3 of the MIC AMP UNIT and disconnect the audio signal input to the microphone input. Adjust L<sub>501</sub> until the oscillating frequency becomes exactly 10.7 MHz. Connect the audio generator to the microphone input again, and adjust the input level until +5 kHz deviation with a sine wave pattern is obtained. If a sine wave is not obtained, repeat the above procedures. Increase the input level to 25 mV, and adjust VR<sub>502</sub> for +5 kHz deviation.



TC<sub>1301</sub> TC<sub>1302</sub>  
VFO COMPARTMENT



COUNTER UNIT (PB-1735, 1803)



OSC UNIT (PB-1761)

## PARTS LIST

| MAIN CHASSIS                       |              |                            |                                 |               |          | METER                 |
|------------------------------------|--------------|----------------------------|---------------------------------|---------------|----------|-----------------------|
| Symbol Number                      | Parts Number | Description                |                                 | M1 (with PL3) | 74000370 | SP-38A                |
|                                    |              | <b>IC &amp; TRANSISTOR</b> |                                 |               |          |                       |
| Q3                                 | 25000116     | IC                         | $\mu$ PC14308                   |               |          |                       |
| Q4                                 | 25000109     | "                          | $\mu$ PC14305                   |               |          |                       |
| Q1 W/Insulator                     | 22490003     | Transistor                 | MJ802                           |               |          | <b>SPEAKER</b>        |
| Q2                                 | 22403134     | "                          | 2SD313D                         | SP1           | 76000017 | 4 $\Omega$ 3W SA-77KY |
|                                    |              |                            |                                 |               |          |                       |
|                                    |              |                            |                                 |               |          |                       |
|                                    |              | <b>DIODE</b>               |                                 |               |          | <b>RELAY</b>          |
| D1                                 | 21090130     | Silicon Diode              | U05B                            | RL1           | 70000005 | AE-3171-42            |
| D3~D19                             | 21090011     | "                          | 10D1                            |               |          |                       |
| D2                                 | 21090144     | "                          | S15VB10                         |               |          |                       |
|                                    |              |                            |                                 |               |          |                       |
|                                    |              |                            |                                 |               |          | <b>RELAY SOCKET</b>   |
|                                    |              |                            |                                 | RLS1          | 69000004 | AE-3860               |
|                                    |              | <b>RESISTOR</b>            |                                 |               |          |                       |
| R8                                 | 41143223     | Carbon Film                | $\frac{1}{4}$ W TJ 22K $\Omega$ |               |          |                       |
| R2                                 | 42124100     | Carbon Composition         | $\frac{1}{2}$ W GK10 $\Omega$   |               |          |                       |
| R7                                 | 42124220     | "                          | " " " " 22 $\Omega$             |               |          | <b>SWITCH</b>         |
| R1                                 | 42124101     | "                          | " " " " 100 $\Omega$            | S1            | 64000490 | SRN 2020N             |
| R5                                 | 42124102     | "                          | " " " " 1K $\Omega$             | S2,4          | 64000520 | " 2064N               |
| R4                                 | 42124562     | "                          | " " " " 5.6K $\Omega$           | S3            | 64000510 | " 4085N               |
| R6                                 | 42124154     | "                          | " " " " 150K $\Omega$           | S5            | 64000200 | " SP-2022             |
|                                    |              |                            |                                 |               |          |                       |
|                                    |              |                            |                                 |               |          | <b>PLUG</b>           |
|                                    |              |                            |                                 | P1            | 68130002 | 5047-13 # 240057A     |
|                                    |              | <b>POTENTIOMETER</b>       |                                 | P2            | 68100012 | 5047-10 # 240058      |
| VR1,3                              | 49900098     | DM10A041                   | 5K $\Omega$ B /10K $\Omega$ A   | P3            | 67040002 | SI- 5908              |
| VR2                                | 49900099     | DM10A04                    | 1K $\Omega$ C /100K $\Omega$ B  |               |          |                       |
| VR4                                | 49900085     | VM11A5M1112                | 10K $\Omega$ A                  |               |          |                       |
| VR5                                | 49900100     | FVH BOAS25B54              | 50K $\Omega$ B                  |               |          |                       |
| VR9                                | 49800045     | EVH BOAS15B54              | 50K $\Omega$ B                  |               |          | <b>CONNECTOR</b>      |
|                                    |              |                            |                                 | J1            | 67040004 | QMS- AB4M             |
|                                    |              |                            |                                 | J2            | 68050003 | CS-250                |
|                                    |              |                            |                                 | J3            | 68020002 | SG-7615               |
|                                    |              | <b>CAPACITOR</b>           |                                 | J4            | 68020012 | SG-8050               |
| C1,2                               | 30240472     | Ceramic Disc               | 1.4KV 0.0047 $\mu$ F            | J5            | 68040003 | FM-144J               |
| C10,11,13~18,23~27<br>C29~33,36,38 | 30820102     | "                          | " " 50WV 0.001 $\mu$ F          | J6            | 68020013 | SG-8018               |
| C5~9,19,28,39                      | 30820103     | "                          | " " " 0.01 $\mu$ F              | J7~11         | 68020001 | CN-7017J              |
| C12,34,35,37,40                    | 30820473     | "                          | " " " 0.047 $\mu$ F             | J24           | 68090001 | SB-7702               |
| C20~22                             | 35220476     | Electrolytic               | 16WV 4.7 $\mu$ F                | J25 with Wire | 96000104 | # 240030-3            |
| C4                                 | 35220228     | "                          | 16WV 2200 $\mu$ F               | J26           | 67090002 | 1625-9R-1 # 240064    |
| C3                                 | 34529001     | "                          | 35WV 6800 $\mu$ F               |               |          |                       |
|                                    |              |                            |                                 |               |          |                       |
|                                    |              |                            |                                 |               |          | <b>MULTI JACK</b>     |
|                                    |              |                            |                                 | J12,14~19,21  | 68360001 | 220D-36B-205          |
|                                    |              |                            |                                 | J13,20,22     | 68180003 | 121S-18B-105          |
|                                    |              | <b>CHOKE</b>               |                                 |               |          |                       |
| CH1                                | 55003001     | SN-8S-500                  |                                 |               |          |                       |
| CH2                                | 50000010     | 50-12                      | # 230012                        |               |          |                       |
|                                    |              |                            |                                 |               |          | <b>FUSE</b>           |
|                                    |              |                            |                                 | F1            | 73000003 | 3A                    |
|                                    |              | <b>POWER TRANSFORMER</b>   |                                 |               |          |                       |
| PT1                                | 52000052     | 52-56                      | # 230016                        |               |          | <b>FUSE HOLDER</b>    |
|                                    |              |                            |                                 | FH1           | 69030001 | SN1001 # 2            |
|                                    |              |                            |                                 | FH2           | 69030007 | F3265                 |

## PARTS LIST

|                          |                     |                             |   |                          |                     |                                 |  |
|--------------------------|---------------------|-----------------------------|---|--------------------------|---------------------|---------------------------------|--|
|                          |                     | <b>LAMP</b>                 |   | C120, 123, 125, 126, 129 | 30820102            | Ceramic Disc 50WV 0.001 $\mu$ F |  |
| PL1, 2                   | 14000018            | BQ044-32751A                |   | C132, 133, 135, 144, 145 |                     |                                 |  |
| PL3 (Meter)              | —                   | BF342-01540A                |   | C148, 149, 151           |                     |                                 |  |
|                          |                     |                             |   | C127, 130, 131, 134, 136 | 30820103            | " " " 0.01 $\mu$ F              |  |
|                          |                     |                             |   | C137, 140, 141, 147      |                     |                                 |  |
|                          |                     |                             |   | C138                     | 36825473            | Mylar " " 0.047 $\mu$ F         |  |
|                          |                     |                             |   | C139                     | 34220105            | Electrolytic 16WV 1 $\mu$ F     |  |
| <b>RX-RF unit</b>        |                     |                             |   |                          |                     |                                 |  |
| <b>Symbol Number</b>     | <b>Parts Number</b> | <b>Description</b>          |   |                          |                     |                                 |  |
| PB-1746                  | 60417460            | Printed Circuit Board       |   |                          |                     |                                 |  |
|                          | 017460AZ            | PCB with components         |   |                          |                     |                                 |  |
|                          |                     |                             |   |                          |                     | <b>TRIMMER CAPACITOR</b>        |  |
|                          |                     |                             |   | TC101~104                | 39000006            | ECV1ZW 10 $\times$ 40 10PF      |  |
|                          |                     | <b>FET &amp; TRANSISTOR</b> |   | TC105                    | 39000010            | " 10 $\times$ 53 10PF           |  |
| Q102, 103                | 23800510            | MOS FET 3SK51               |   |                          |                     |                                 |  |
| Q104~106                 | 22307842            | Silicon Transistor 2SC784R  |   |                          |                     |                                 |  |
|                          |                     |                             |   |                          |                     | <b>INDUCTOR</b>                 |  |
|                          |                     |                             |   | L103                     | 55003251            | # 220316                        |  |
|                          |                     | <b>DIODE</b>                |   | L104, 106                | 55003252            | # 220317                        |  |
| D109                     | 21010070            | Germanium Diode             | 1S1007                                  | L105                     | 55003253            | # 220318                        |  |
| D101                     | 21090142            | Silicon                     | MC301                                   | L110 (R138)              | 55003254            | RF CHOKE # 220310               |  |
| D105~108, 110            | 21022090            | Varactor                    | 1S2209                                  | L109, 111                | 53020007            | Micro Inductor FL-5H 22 $\mu$ H |  |
|                          |                     |                             |   | L112, 113                | 53010003            | " " 250 $\mu$ H                 |  |
|                          |                     |                             |   |                          |                     | <b>CRYSTAL FILTER</b>           |  |
| XF101, 102               | 71000025            | 10M2A-2                     |   |                          |                     | <b>TRANSFORMER</b>              |  |
|                          |                     |                             |   | T101~104                 | 55003083            | 3005 # 220187                   |  |
|                          |                     |                             |   | T105                     | 54141020            | R12-4102 # 220111               |  |
|                          |                     |                             |   |                          |                     | <b>RESISTOR</b>                 |  |
| R118                     | 40143560            | Carbon Film                 | $\frac{1}{4}$ W VJ 56 $\Omega$          |                          |                     |                                 |  |
| R114, 117, 125, 129, 136 | 40143101            | "                           | " " " " 100 $\Omega$                    |                          |                     | <b>FERRITE BEADS</b>            |  |
| R135                     | 40143221            | "                           | " " " " 220 $\Omega$                    | FB101                    | 56000024            | RI 3 $\times$ 3 $\times$ 1      |  |
| R103                     | 40143271            | "                           | " " " " 270 $\Omega$                    |                          |                     |                                 |  |
| R124                     | 40143471            | "                           | " " " " 470 $\Omega$                    |                          |                     |                                 |  |
| R101, 102, 104, 105, 128 | 40143102            | "                           | " " " " 1K $\Omega$                     |                          |                     |                                 |  |
| R132                     | 40143152            | "                           | " " " " 1.5K $\Omega$                   |                          |                     | <b>SSB IF unit</b>              |  |
| R130                     | 10143222            | "                           | " " " " 2.2K $\Omega$                   | <b>Symbol Number</b>     | <b>Parts Number</b> | <b>Description</b>              |  |
| R131                     | 40143392            | "                           | " " " " 3.9K $\Omega$                   | PB-1778                  | 60417780            | Printed Circuit Board           |  |
| R133                     | 40143472            | "                           | " " " " 4.7K $\Omega$                   |                          | 017780AZ            | PCB with components             |  |
| R122, 127                | 40143822            | "                           | " " " " 8.2K $\Omega$                   |                          |                     |                                 |  |
| R120, 121, 139           | 40143103            | "                           | " " " " 10K $\Omega$                    |                          |                     |                                 |  |
| R112, 134                | 40143223            | "                           | " " " " 22K $\Omega$                    |                          |                     |                                 |  |
| R123, 126                | 40143393            | "                           | " " " " 39K $\Omega$                    |                          |                     | <b>IC, FET &amp; TRANSISTOR</b> |  |
| R113, 119                | 40143473            | "                           | " " " " 47K $\Omega$                    | Q208                     | 25000098            | IC TA7045                       |  |
| R109~111                 | 40143104            | "                           | " " " " 100K $\Omega$                   | Q209                     | 25000152            | " $\mu$ PC1037H                 |  |
| R115, 116, 137           | 40143105            | "                           | " " " " 1M $\Omega$                     | Q202, 207                | 22800195            | FET 2SK19GR                     |  |
| R107, 108                | 41143105            | "                           | " " " TJ 1M $\Omega$                    | Q203, 204                | 22303730            | Silicon Transistor 2SC373       |  |
| R138 (L110)              | 42104102            | "                           | Composition $\frac{1}{4}$ W 1K $\Omega$ | Q205, 206                | 22310006            | " " 2SC1000BL                   |  |
|                          |                     |                             |   | Q201                     | 22307842            | " " 2SC784R                     |  |
|                          |                     |                             |   |                          |                     | <b>CAPACITOR</b>                |  |
|                          |                     |                             |   |                          |                     | <b>DIODE</b>                    |  |
| C150                     | 31829010            | Ceramic Disc 50WV 1PF SL    |   | D201~203, 206, 209       | 21010070            | Germanium Diode 1S1007          |  |
| C124                     | 31829030            | "                           | " " " 3PF SL                            | D204                     | 21001880            | " " 1S188FM                     |  |
| C152                     | 31829080            | "                           | " " " 8PF SL                            | D205                     | 21015550            | Silicon " 1S1555                |  |
| C114                     | 31829300            | "                           | " " " 30PF SL                           | D207                     | 21019410            | " " " 1S1941                    |  |
| C146                     | 31829470            | "                           | " " " 47PF SL                           | D208                     | 21090036            | Zener " " WZ110                 |  |
| C112, 113, 121, 122, 143 | 31820050            | "                           | " " " 5PF CH                            |                          |                     |                                 |  |
| C142                     | 31820150            | "                           | " " " 15PF CH                           |                          |                     |                                 |  |
| C101~105, 111, 115~      | 30820102            | "                           | " " " 0.001 $\mu$ F                     |                          |                     |                                 |  |

## PARTS LIST

|   |          |                       |                 |                |               |                          |                |                       |                                 |
|---|----------|-----------------------|-----------------|----------------|---------------|--------------------------|----------------|-----------------------|---------------------------------|
|   |          | <b>THERMISTOR</b>     |                 |                |               |                          |                |                       |                                 |
| RS201   | 29090001 | SDT-250               |                 |                |               |                          |                |                       |                                 |
|   |          |                       |                 |                |               |                          |                |                       |                                 |
|   |          | <b>CRYSTAL FILTER</b> |                 |                |               |                          |                |                       | <b>INDUCTOR</b>                 |
| XF201   | 71000020 | XF10A                 | # 210027        |                | L201          | 53020032                 | Micro Inductor | FL-4H                 | 3.9 $\mu$ H                     |
|   |          |                       |                 |                | L202          | 53020006                 | "              | "                     | 6.8 $\mu$ H                     |
|   |          |                       |                 |                | L203          | 53010004                 | "              | FL-5H                 | 220 $\mu$ H                     |
|   |          |                       |                 |                |               |                          |                |                       |                                 |
|   |          | <b>RESISTOR</b>       |                 |                |               |                          |                |                       |                                 |
| R251  | 40143560 | Carbon Film           | $\frac{1}{4}$ W | VJ             | 56 $\Omega$   |                          |                |                       |                                 |
| R209,212,214,219,245  | 40143101 | "                     | "               | "              | 100 $\Omega$  |                          |                |                       | <b>TRANSFORMER</b>              |
| R246,249  |          | "                     | "               | "              | "             | T201,202                 | 54140740       | R12-4074              | # 220150                        |
| R226,229  | 40143721 | "                     | "               | "              | 270 $\Omega$  | T203                     | 54140730       | R12-4073              | # 220149                        |
| R218,231  | 40143471 | "                     | "               | "              | 470 $\Omega$  |                          |                |                       |                                 |
| R224  | 40143561 | "                     | "               | "              | 560 $\Omega$  |                          |                |                       |                                 |
| R202,235  | 40143681 | "                     | "               | "              | 680 $\Omega$  |                          |                |                       |                                 |
| R204,205,211,215,221  | 40143102 | "                     | "               | "              | 1K $\Omega$   |                          |                |                       |                                 |
| R228,230,241,247  |          | "                     | "               | "              | "             |                          |                |                       |                                 |
| R208,210,217,223,248  | 40143222 | "                     | "               | "              | 2.2K $\Omega$ |                          |                |                       |                                 |
| R227  | 40143272 | "                     | "               | "              | 2.7K $\Omega$ |                          |                |                       |                                 |
| R201,203,213,234,250  | 40143332 | "                     | "               | "              | 3.3K $\Omega$ | Symbol Number            | Parts Number   | Description           |                                 |
| R225,239,240  | 40143392 | "                     | "               | "              | 3.9K $\Omega$ | PB-1463 C-3340           | 60414633       | Printed Circuit Board |                                 |
| R242  | 40143472 | "                     | "               | "              | 4.7K $\Omega$ |                          | 014633AZ       | PCB with components   |                                 |
| R206  | 40143682 | "                     | "               | "              | 6.8K $\Omega$ |                          |                |                       |                                 |
| R236  | 40143103 | "                     | "               | "              | 10K $\Omega$  |                          |                |                       |                                 |
| R233  | 40143153 | "                     | "               | "              | 15K $\Omega$  |                          |                |                       | <b>IC, FET &amp; TRANSISTOR</b> |
| R220  | 40143223 | "                     | "               | "              | 22K $\Omega$  | Q302                     | 25000111       | IC                    | $\mu$ A703HC                    |
| R207  | 40143273 | "                     | "               | "              | 27K $\Omega$  | Q308                     | 25000099       | "                     | TA7061AP                        |
| R237  | 40143393 | "                     | "               | "              | 39K $\Omega$  | Q303                     | 22800195       | FET                   | 2SK19GR                         |
| R232,238  | 40143473 | "                     | "               | "              | 47K $\Omega$  | Q301,304~307,309~        | 22303724       | Transistor            | 2SC372Y                         |
| R216,244  | 40143104 | "                     | "               | "              | 100K $\Omega$ | Q311                     |                |                       |                                 |
| R222  | 40143474 | "                     | "               | "              | 470K $\Omega$ |                          |                |                       |                                 |
| R252  | 41143102 | "                     | "               | TJ             | 1K $\Omega$   |                          |                |                       |                                 |
|   |          |                       |                 |                |               |                          |                |                       |                                 |
|   |          |                       |                 |                |               |                          |                |                       | <b>DIODE</b>                    |
|   |          |                       |                 |                |               | D303~306                 | 21001880       | Germanium Diode       | 1S188FM                         |
|   |          |                       |                 |                |               | D301,302,307~310         | 21015550       | Silicon               | 1S1555                          |
|   |          |                       |                 |                |               |                          |                |                       |                                 |
|   |          | <b>POTENTIOMETER</b>  |                 |                |               |                          |                |                       |                                 |
| VR201   | 49906102 | EVL-SOAA-00B13        |                 |                | 1K $\Omega$ B |                          |                |                       |                                 |
| VR202,203   | 49906502 | EVL-SOAA-00B 53       |                 |                | 5K $\Omega$ B |                          |                |                       | <b>THERMISTOR</b>               |
|   |          |                       |                 |                |               | RS301                    | 29090001       | SDT-250               |                                 |
|   |          |                       |                 |                |               |                          |                |                       |                                 |
|   |          | <b>CAPACITOR</b>      |                 |                |               |                          |                |                       |                                 |
| C215  | 31820100 | Ceramic Disc          | 50WV            | 10PF           | NPO           |                          |                |                       | <b>CRYSTAL</b>                  |
| C214  | 31820200 | "                     | "               | 20PF           | NPO           | X301                     | 71800061       | HC-18/U               | 10.245MHz                       |
| C216,247  | 31820101 | "                     | "               | 100PF          | NPO           |                          |                |                       |                                 |
| C241,248  | 30820102 | "                     | "               | 0.001 $\mu$ F  |               |                          |                |                       |                                 |
| C201~204,210~213,<br>C219,220,221,224,<br>C226,227,236~240,<br>C242,244 | 30820103 | "                     | "               | 0.01 $\mu$ F   |               |                          |                |                       |                                 |
| C205~209,217,218  | 30820473 | "                     | "               | 0.047 $\mu$ F  |               |                          |                |                       | <b>CERAMIC FILTER</b>           |
| C233  | 36825682 | Mylar                 | "               | 0.0068 $\mu$ F |               | CF302                    | 71200009       | CFM455F/LF-C12        |                                 |
| C223,231,232  | 36825223 | "                     | "               | 0.02 $\mu$ F   |               | CF303                    | 71200010       | 10.7MF-BR             |                                 |
| C222  | 36825104 | "                     | "               | 0.1 $\mu$ F    |               |                          |                |                       |                                 |
| C235  | 36526334 | Tantalum              | 35WV            | 0.33 $\mu$ F   |               |                          |                |                       | <b>RESISTOR</b>                 |
| C229  | 34220105 | Electrolytic          | 16WV            | 1 $\mu$ F      |               | R304,305,326             | 40143101       | Carbon Film           | $\frac{1}{4}$ WVJ 100 $\Omega$  |
| C230  | 34220475 | "                     | "               | 4.7 $\mu$ F    |               | R325,327,337             | 40143221       | "                     | 220 $\Omega$                    |
| C243  | 34220106 | "                     | "               | 10 $\mu$ F     |               | R324                     | 40143471       | "                     | 470 $\Omega$                    |
| C245  | 34220226 | "                     | "               | 22 $\mu$ F     |               | R303,342,346             | 40143561       | "                     | 560 $\Omega$                    |
| C225,228,234  | 34220476 | "                     | "               | 47 $\mu$ F     |               | R308,319,328,329,336,347 | 40143102       | "                     | 1K $\Omega$                     |

## PARTS LIST

|   |              |                       |        |          |         |                               |          |                      |           |
|---|--------------|-----------------------|--------|----------|---------|-------------------------------|----------|----------------------|-----------|
| R309  | 40143152     | Carbon Film           | ¼W     | VJ       | 1.5KΩ   |                               |          | IC, FET & TRANSISTOR |           |
| R339, 340   | 40143222     | " "                   | " "    | " "      | 2.2KΩ   | Q415                          | 25000111 | IC                   | MC14011B  |
| R311, 313, 314, 321, 343<br>R349~356                    | 40143332     | " "                   | " "    | " "      | 3.3KΩ   | Q416, 417                     | 22800195 | FET                  | 2SK19GR   |
| R301, 330, 331, 335, 344                                | 40143472     | " "                   | " "    | " "      | 4.7KΩ   | Q412                          | 22105641 | Silicon Transistor   | 2SA564A   |
| R322, 338   | 40143562     | " "                   | " "    | " "      | 5.6KΩ   | Q404                          | 22106950 | "                    | 2SA695    |
| R302  | 40143103     | " "                   | " "    | " "      | 10KΩ    | Q406                          | 22205290 | "                    | 2SB529    |
| R315, 316, 345  | 40143153     | " "                   | " "    | " "      | 15KΩ    | Q401, 402, 407, 408, 414      | 22303724 | "                    | 2SC372Y   |
| R323, 334, 341  | 40143223     | " "                   | " "    | " "      | 22KΩ    | Q409, 410, 413, 418           | 22303730 | "                    | 2SC373    |
| R320, 332   | 40143473     | " "                   | " "    | " "      | 47KΩ    | Q403                          | 22307110 | "                    | 2SC711    |
| R348  | 40143563     | " "                   | " "    | " "      | 56KΩ    | Q411                          | 22307354 | "                    | 2SC735Y   |
| R306, 307, 310  | 40143104     | " "                   | " "    | " "      | 100KΩ   | Q405                          | 22403590 | "                    | 2SD359    |
|   |              |                       |        |          |         |                               |          |                      |           |
|   |              |                       |        |          |         |                               |          | DIODE                |           |
|   |              |                       |        |          |         | D401~404, 406                 | 21015550 | Silicon Diode        | 1S1555    |
|   |              |                       |        |          |         | D405                          | 29090013 | Varistor             | MV-5W     |
|   |              | CAPACITOR             |        |          |         |                               |          |                      |           |
| C312  | 31829050     | Ceramic Disc          | 50WV   | 5PFSL    |         |                               |          |                      |           |
| C306, 307   | 31829330     | " "                   | " "    | " "      | 33PFSL  |                               |          |                      |           |
| C309, 343   | 31829101     | " "                   | " "    | " "      | 100PFSL |                               |          |                      |           |
| C301  | 31829221     | " "                   | " "    | " "      | 220PFSL | R416                          | 40143100 | Carbon Film          | ¼W VJ 10Ω |
| C333  | 31820400     | " "                   | " "    | " "      | 40PF CH | R414                          | 40143220 | " "                  | " " 22Ω   |
| C344  | 30820102     | " "                   | " "    | " "      | 0.001μF | R456                          | 40143680 | " "                  | " " 68Ω   |
| C302~305, 308, 313,<br>C315, 316, 319, 336,<br>C345~348 | 30820103     | " "                   | " "    | " "      | 0.01μF  | R457                          | 40143101 | " "                  | " " 100Ω  |
| C310, 330, 331, 337, 338<br>C341                        | 36825103     | Mylar                 | " "    | " "      | 0.01μF  | R420                          | 40143121 | " "                  | " " 120Ω  |
| C328, 329   | 36825223     | " "                   | " "    | " "      | 0.02μF  | R403, 417, 449                | 40143221 | " "                  | " " 220Ω  |
| C311, 317, 320~325                                      | 36825473     | " "                   | " "    | " "      | 0.047μF | R425, 454                     | 40143471 | " "                  | " " 470Ω  |
| C339, 340, 349, 350                                     | 36526105     | Tantalum              | 25WV   | 1μF      |         | R406, 407, 428, 430, 434      | 40143102 | " "                  | " " 1KΩ   |
| C335  | 36824101     | Styrol                | 50WV   | 100PF    |         | R441                          |          |                      |           |
| C326, 334   | 36824331     | " "                   | " "    | " "      | 330PF   | R412, 413                     | 40143152 | " "                  | " " 1.5KΩ |
| C327  | 36824102     | " "                   | " "    | " "      | 1000PF  | R402, 408, 424, 450, 452, 453 | 40143222 | " "                  | " " 2.2KΩ |
| C332, 342   | 34220475     | Electrolytic          | 16WV   | 4.7μF    |         | R415                          | 40143332 | " "                  | " " 3.3KΩ |
|   |              |                       |        |          |         | R401, 440, 443, 445, 446      | 40143472 | " "                  | " " 4.7KΩ |
|   |              |                       |        |          |         | R448, 455                     |          |                      |           |
|   |              |                       |        |          |         | R429                          | 40143562 | " "                  | " " 5.6KΩ |
|   |              |                       |        |          |         | R409                          | 40143682 | " "                  | " " 6.8KΩ |
|   |              |                       |        |          |         | R404                          | 40143822 | " "                  | " " 8.2KΩ |
|   |              |                       |        |          |         | R421, 427, 436, 438, 439      | 44143103 | " "                  | " " 10KΩ  |
|   |              |                       |        |          |         | R444                          |          |                      |           |
|   |              |                       |        |          |         | R422, 442                     | 40143223 | " "                  | " " 22KΩ  |
|   |              |                       |        |          |         | R447                          | 40143333 | " "                  | " " 33KΩ  |
|   |              | INDUCTOR              |        |          |         |                               |          |                      |           |
| L301~303, 306~308                                       | 53020001     | Micro Inductor        | FL5H   | 1mH      |         | R405, 426                     | 40143393 | " "                  | " " 39KΩ  |
| L305  | 53020002     | " "                   | " "    | 2mH      |         | R410                          | 40143473 | " "                  | " " 47KΩ  |
| L304  | 53010003     | " "                   | EL0610 | 250μH    |         | R435                          | 40143563 | " "                  | " " 56KΩ  |
|   |              |                       |        |          |         | R423                          | 40143683 | " "                  | " " 68KΩ  |
|   |              |                       |        |          |         | R411, 437, 451                | 40143104 | " "                  | " " 100KΩ |
|   |              |                       |        |          |         | R431, 432                     | 40143105 | " "                  | " " 1MΩ   |
|   |              |                       |        |          |         | R433                          | 40143335 | " "                  | " " 3.3MΩ |
|   |              | TRANSFORMER           |        |          |         |                               |          |                      |           |
| T301, 302   | 54140740     | R12-4074              |        | # 220150 |         | R418, 419                     | 40124029 | Wire Wound           | ½W 0.22Ω  |
| T303  | 54148614     | R12-4861D             |        | # 220182 |         |                               |          |                      |           |
| T304  | 54148615     | R12-4861E             |        | # 220183 |         |                               |          |                      |           |
| T305  | 55000278     | 7MC312162N            |        | # 220188 |         |                               |          |                      |           |
|   |              |                       |        |          |         |                               |          |                      |           |
|   |              |                       |        |          |         |                               |          | POTENTIOMETER        |           |
| TP301, 302  | 91100008     | Wrapping Terminal C   |        |          |         | VR404                         | 49906502 | EVL-SOAA-00B53       | 5KΩB      |
|   |              |                       |        |          |         | VR403                         | 49906103 | EVL-SOAA-00B14       | 10KΩB     |
|   |              |                       |        |          |         | VR402                         | 49907053 | EVL-VOAA-00B 54      | 50KΩB     |
|   |              |                       |        |          |         | VR405                         | 49906503 | EVL-SOAA-00B 54      | 50KΩB     |
|   |              |                       |        |          |         | VR401                         | 49907504 | EVL-VOAA-00B 55      | 500KΩB    |
|   |              |                       |        |          |         |                               |          |                      |           |
| AF AMP unit   |              |                       |        |          |         |                               |          |                      |           |
| Symbol Number   | Parts Number | Description           |        |          |         |                               |          |                      |           |
| PB-1764   | 60417640     | Printed Circuit Board |        |          |         |                               |          |                      |           |
|   | 017640AZ     | PCB with components   |        |          |         |                               |          |                      |           |





## PARTS LIST

|                     |              |                             |           |                              |              |                         |              |
|---------------------|--------------|-----------------------------|-----------|------------------------------|--------------|-------------------------|--------------|
|                     |              | <b>TRIMMER CAPACITOR</b>    |           |                              |              |                         |              |
| TC501~504           | 39000007     | ECV-1ZW 20×40               | 20PF      |                              |              |                         |              |
|                     |              |                             |           |                              |              |                         |              |
|                     |              |                             |           |                              |              |                         |              |
|                     |              | <b>INDUCTOR</b>             |           |                              |              | <b>POTENTIOMETER</b>    |              |
| L501                | 55003256     | VXO Coil                    | # 220319  | VR601                        | 49906102     | EVE-SOAA 00B13          | 1KΩB         |
| L502~504,506        | 53020001     | Micro Inductor FL5H         | 1mH       | VR602                        | 49916473     | SR29R                   | 47KΩB        |
| L507                | 53010003     | " "                         | 250μH     |                              |              |                         |              |
|                     |              |                             |           |                              |              |                         |              |
|                     |              |                             |           |                              |              |                         |              |
|                     |              |                             |           |                              |              |                         |              |
|                     |              | <b>TRANSFORMER</b>          |           | C613,619,623,631             | 31829100     | Ceramic Disc            | 50WV 10PF SL |
| T501                | 54140740     | R12-4074                    | # 220150  | C601                         | 31829400     | " "                     | 40PF SL      |
| T502,503            | 54140730     | R12-4073                    | # 220149  | C626                         | 31829470     | " "                     | 47PF SL      |
|                     |              |                             |           | C614,615                     | 31820010     | " "                     | 1PF CH       |
|                     |              |                             |           | C616~618,622                 | 31820050     | " "                     | 5PF CH       |
|                     |              |                             |           | C611,612                     | 31820100     | " "                     | 10PF CH      |
|                     |              |                             |           | C606,607                     | 31820200     | " "                     | 20PF CH      |
|                     |              |                             |           | C603~605,620,621,624,639~645 | 30820102     | " "                     | 0.001μF      |
| <b>EXCITER unit</b> |              |                             |           | C602,608~610,625             | 30820103     | " "                     | 0.01μF       |
| Symbol Number       | Parts Number | Description                 |           | C627~630,637                 |              |                         |              |
| PB-1762             | 60417620     | Printed Circuit Board       |           | C632                         | 36825473     | Mylar                   | 0.047μF      |
|                     | 017620AZ     | PCB with components         |           | C633,636,638                 | 34220106     | Electolytic             | 16WV 10μF    |
|                     |              |                             |           | C635                         | 34220226     | " "                     | 22μF         |
|                     |              |                             |           | C634                         | 34220336     | " "                     | 33μF         |
|                     |              | <b>FET &amp; TRANSISTOR</b> |           |                              |              |                         |              |
| Q601,602            | 22800195     | FET                         | 2SK19GR   |                              |              |                         |              |
| Q603                | 22307842     | Silicon Transistor          | 2SC784R   |                              |              |                         |              |
| Q604,605            | 22320530     | " "                         | 2SC2053   |                              |              |                         |              |
| Q606                | 22307300     | " "                         | 2SC730    |                              |              |                         |              |
| Q607,610            | 22303730     | " "                         | 2SC373    |                              |              |                         |              |
| Q608                | 22303724     | " "                         | 2SC372Y   | TC601~606                    | 39000006     | ECV-1ZW10×40            | 10PF         |
| Q609                | 22307354     | " "                         | 2SC735Y   | TC607,608                    | 39000011     | ECV-1ZW20×53            | 20PF         |
|                     |              |                             |           | TC609                        | 39000002     | ECV-1ZW20×32            | 20PF         |
|                     |              |                             |           |                              |              |                         |              |
|                     |              |                             |           |                              |              |                         |              |
|                     |              | <b>DIODE</b>                |           |                              |              |                         |              |
| D601~605            | 21022090     | Varactor Diode              | 1S2209    |                              |              |                         |              |
| D606~608            | 21015550     | Silicon                     | 1S1555    | L601,603                     | 55003257     |                         | # 220320     |
|                     |              |                             |           | L602                         | 55003258     |                         | # 220321     |
|                     |              |                             |           | L604                         | 55003259     |                         | # 220322     |
|                     |              |                             |           | L606,608                     | 55003260     |                         | # 220323     |
|                     |              |                             |           | L610                         | 55033264     |                         | # 220315     |
| R617,622            | 40143100     | Carbon Film                 | ¼W VJ 10Ω | L605                         | 55003254     |                         | # 220310     |
| R623,626            | 40143560     | " "                         | " " 56Ω   | L607                         | 55003262     |                         | # 220324     |
| R613,618,637,639    | 40143101     | " "                         | " " 100Ω  | L609                         | 55003263     |                         | # 220311     |
| R612                | 40143221     | " "                         | " " 220Ω  |                              |              |                         |              |
| R630                | 40143471     | " "                         | " " 470Ω  |                              |              |                         |              |
| R615,620            | 40143561     | " "                         | " " 560Ω  |                              |              |                         |              |
| R635                | 40143821     | " "                         | " " 820Ω  |                              |              |                         |              |
| R633,641            | 40143102     | " "                         | " " 1KΩ   | T601                         | 54140730     | R12-4073                | # 220149     |
| R625                | 40143122     | " "                         | " " 1.2KΩ | T602                         | 55003265     |                         | # 220325     |
| R634,636,640        | 40143222     | " "                         | " " 2.2KΩ |                              |              |                         |              |
| R608,610            | 40143332     | " "                         | " " 3.3KΩ |                              |              |                         |              |
| R616,621,638        | 40143472     | " "                         | " " 4.7KΩ |                              |              |                         |              |
| R628                | 40143562     | " "                         | " " 5.6KΩ |                              |              |                         |              |
| R632                | 40143103     | " "                         | " " 10KΩ  |                              |              |                         |              |
| R611,631            | 40143153     | " "                         | " " 15KΩ  |                              |              |                         |              |
| R629                | 40143273     | " "                         | " " 27KΩ  |                              |              |                         |              |
| R601,602            | 40143473     | " "                         | " " 47KΩ  |                              |              |                         |              |
| R605,614            | 40143105     | " "                         | " " 1MΩ   |                              |              |                         |              |
| R609                | 41143101     | " "                         | " TJ 100Ω |                              |              |                         |              |
| R603,604,606,607    | 41143105     | " "                         | " " 1MΩ   |                              |              |                         |              |
|                     |              |                             |           | <b>BOOSTER unit</b>          |              |                         |              |
|                     |              |                             |           | Symbol Number                | Parts Number | Description             |              |
|                     |              |                             |           | PB-1744                      | 60417440     | Printed Circuit Board A |              |
|                     |              |                             |           | PB-1745                      | 60417450     | " " " B                 |              |
|                     |              |                             |           |                              | 017440AZ     | PCB with components     |              |



## PARTS LIST

| CRYSTAL SOCKET       |              |                          |       | FIX unit  |                                 |                           |
|----------------------|--------------|--------------------------|-------|-----------|---------------------------------|---------------------------|
| Symbol Number        | Parts Number | Description              |       |           |                                 |                           |
| XS801,802            | 69000006     | S-14-12P                 |       | PB-1750   | 60417500                        | Printed Circuit Board     |
|                      |              |                          |       |           | 017500AZ                        | PCB with components       |
|                      |              | <b>RESISTOR</b>          |       |           |                                 |                           |
| R819,823,829,831     | 40143101     | Carbon Film              | ¼W    | VJ        | 100Ω                            |                           |
| R828                 | 40143221     | " "                      | " "   | " "       | 220Ω                            |                           |
| R822                 | 40143561     | " "                      | " "   | " "       | 560Ω                            |                           |
| R818a                | 40143102     | " "                      | " "   | " "       | 1KΩ                             |                           |
| R801~812             | 40143152     | " "                      | " "   | " "       | 1.5KΩ                           |                           |
| R813,827             | 40143222     | " "                      | " "   | " "       | 2.2KΩ                           |                           |
| R817,821             | 40143472     | " "                      | " "   | " "       | 4.7KΩ                           |                           |
| R816,826             | 40143103     | " "                      | " "   | " "       | 10KΩ                            |                           |
| R820                 | 40143223     | " "                      | " "   | " "       | 22KΩ                            |                           |
| R814,815             | 40143473     | " "                      | " "   | " "       | 47KΩ                            |                           |
| R824,825,830         | 40143104     | " "                      | " "   | " "       | 100KΩ                           |                           |
|                      |              | <b>CRYSTAL</b>           |       |           |                                 |                           |
|                      |              |                          |       | X901~905  | —                               | HC-25/U Option #210055    |
|                      |              | <b>CAPACITOR</b>         |       |           |                                 |                           |
| C839                 | 31829059     | Ceramic Disc             | 50WV  | 0.5PF     | SL                              |                           |
| C844,852             | 31829030     | " "                      | " "   | 3PF       | SL                              |                           |
| C838,841             | 31829070     | " "                      | " "   | 7PF       | SL                              |                           |
| C847                 | 31829080     | " "                      | " "   | 8PF       | SL                              |                           |
| C837,840             | 31829150     | " "                      | " "   | 15PF      | SL                              |                           |
| C842                 | 31829180     | " "                      | " "   | 18PF      | SL                              |                           |
| C849                 | 31829200     | " "                      | " "   | 20PF      | SL                              |                           |
| C832                 | 31829390     | " "                      | " "   | 39PF      | SL                              |                           |
| C802~812             | 31827200     | " "                      | " "   | 20PF      | UJ                              |                           |
| C801,833             | 31827330     | " "                      | " "   | 33PF      | UJ                              |                           |
| C828                 | 31827560     | " "                      | " "   | 56PF      | UJ                              |                           |
| C830                 | 31827221     | " "                      | " "   | 220PF     | UJ                              |                           |
| C850                 | 30820102     | " "                      | " "   | 0.001μF   |                                 |                           |
| C813~827,831,834~836 | 30820103     | " "                      | " "   | 0.01μF    |                                 |                           |
| C843,845,846,848     |              |                          |       |           |                                 |                           |
| C851                 | 30325103     | Chip                     | 25WV  | 0.01μF    |                                 |                           |
|                      |              | <b>CAPACITOR</b>         |       |           |                                 |                           |
|                      |              |                          |       | C930      | 31820080                        | Ceramic Disc 50WV 8 PF CH |
|                      |              |                          |       | C931      | 31820200                        | " " " 20PF CH             |
|                      |              |                          |       | C917~927  | 31820300                        | " " " 30PF CH             |
|                      |              | <b>TRIMMER CAPACITOR</b> |       |           |                                 |                           |
|                      |              |                          |       | C929      | 31820101                        | " " " 100PFCH             |
| TC802~812            | 39000007     | ECV-1ZW                  | 20×40 | 20PF      | C928 31820201 " " " 200PFCH     |                           |
| TC813,814            | 39000011     | " "                      | 20×53 | 20PF      | C932,933 31829201 " " " 200PFSL |                           |
| TC815                | 39000010     | " "                      | 10×53 | 10PF      | C901~916 30820103 " " " 0.01μF  |                           |
|                      |              | <b>INDUCTOR</b>          |       |           |                                 |                           |
| L801                 | 54150999     | R12-5099X                |       |           | #220313                         |                           |
|                      |              | <b>TRIMMER CAPACITOR</b> |       |           |                                 |                           |
|                      |              |                          |       | TC901~911 | 39000007                        | ECV-1ZW 20×40 20PF        |
|                      |              | <b>TRANSFORMER</b>       |       |           |                                 |                           |
| T801,802             | 54147970     | R12-4797                 |       |           | #220110                         |                           |
| T803                 | 54141020     | R12-4102                 |       |           | #220111                         |                           |
|                      |              | <b>INDUCTOR</b>          |       |           |                                 |                           |
|                      |              |                          |       | L901~911  | 53020001                        | Micro Inductor FL5H 1mH   |
|                      |              |                          |       | L912      | 53010003                        | " 250μH                   |
|                      |              |                          |       | L913      | 53020012                        | " FL4H 1.2μH              |
| TP801,802            | 91100008     | Wrapping Terminal C      |       |           |                                 |                           |



## PARTS LIST

|                                |          | DIODE               |                            |               |               |                       | CONNECTOR             |              |  |
|--------------------------------|----------|---------------------|----------------------------|---------------|---------------|-----------------------|-----------------------|--------------|--|
| D1101~1105                     | 21015550 | Silicon Diode       | 1S1555                     | J1101         | 68060013      | 3022-06A              |                       |              |  |
|                                |          | CRYSTAL             |                            |               |               |                       | PLUG                  |              |  |
| X1101                          | 71500174 | HC-25/U             | (1800Hz Tone)<br>3.6864MHz | # 210060-1    | P1101         | 67040006              | 3021-04               |              |  |
|                                | 71500188 | "                   | (1750Hz Tone)<br>3.584MHz  | # 210060-2    |               |                       |                       |              |  |
|                                |          | "                   | Option                     | # 210060-3    |               |                       |                       |              |  |
|                                |          | CRYSTAL SOCKET      |                            |               | KEYING unit   |                       |                       |              |  |
| XS1101                         | 69010012 | HC-25/U             | SD0105                     | Symbol Number | Parts Number  | Description           |                       |              |  |
|                                |          |                     |                            | PB-1751A      | 60417511      | Printed Circuit Board |                       |              |  |
|                                |          |                     |                            |               | 017511AZ      | PCB with components   |                       |              |  |
|                                |          | RESISTOR            |                            |               |               |                       |                       |              |  |
| R1105,1122~1125                | 40143101 | Carbon Film         | 1/4W VJ                    | 100Ω          |               |                       |                       |              |  |
| R1117,1118                     | 40143471 | " "                 | " "                        | 470Ω          |               |                       | IC & TRANSISTOR       |              |  |
| R1106,1107,1119                | 40143102 | " "                 | " "                        | 1KΩ           | Q1201         | 25000114              | IC                    | MC14011B     |  |
| R1121                          | 40143332 | " "                 | " "                        | 3.3KΩ         | Q1202         | 22303724              | Transistor            | 2SC372Y      |  |
| R1108~1110,1113,<br>R1114,1120 | 40143472 | " "                 | " "                        | 4.7KΩ         |               |                       |                       |              |  |
| R1116                          | 40143123 | " "                 | " "                        | 12KΩ          |               |                       |                       |              |  |
| R1115                          | 40143473 | " "                 | " "                        | 47KΩ          |               |                       | DIODE                 |              |  |
| R1101,1111,1112                | 40143104 | " "                 | " "                        | 100KΩ         | D1201~1208    | 21015550              | Silicon Diode         | 1S1555       |  |
| R1102~1104                     | 40143105 | " "                 | " "                        | 1MΩ           |               |                       |                       |              |  |
| R1126                          | 41143105 | " "                 | " TJ                       | 1MΩ           |               |                       |                       |              |  |
|                                |          | POTENTIOMETER       |                            |               |               |                       |                       |              |  |
| VR1101                         | 49907205 | EVL-VOAA00B26       |                            | 2MΩB          |               |                       |                       |              |  |
| VR1102                         | 49907103 | " " 14              |                            | 10KΩB         |               |                       |                       |              |  |
| VR1103~1106                    | 49906103 | " SOAA00B14         |                            | 10KΩB         |               |                       |                       |              |  |
|                                |          | CAPACITOR           |                            |               |               |                       |                       |              |  |
| C1106,1107                     | 31829470 | Ceramic Disc        | 50WV                       | 47PF SL       | C1201~1210    | 30820102              | Ceramic Disc          | 50WV 0.001μF |  |
| C1120~1125                     | 30820102 | " "                 | " "                        | 0.001μF       | C1211         | 36526334              | Tantalum              | 35WV 0.33μF  |  |
| C1101,1104,1105,1108           | 30820103 | " "                 | " "                        | 0.01μF        |               |                       |                       |              |  |
| C1113                          | 36825222 | Mylar               | " "                        | 0.002μF       |               |                       |                       |              |  |
| C1114                          | 36825472 | " "                 | " "                        | 0.0047μF      |               |                       |                       |              |  |
| C1102,1109,1110,1117           | 36825103 | " "                 | " "                        | 0.01μF        |               |                       |                       |              |  |
| C1103                          | 36526474 | Tantalum            | 35WV                       | 0.47μF        |               |                       | POTENTIOMETER         |              |  |
| C1111                          | 34220105 | Electrolytic        | 16WV                       | 1μF           | VR1210        | 49906202              | EVL-SOAA-B23          | 2KΩB         |  |
| C1112,1116,1119                | 34220106 | " "                 | " "                        | 10μF          | VR1201~1209   | 49906503              | " " B54               | 50KΩB        |  |
| C1118                          | 34220226 | " "                 | " "                        | 22μF          |               |                       |                       |              |  |
| C1115                          | 34220476 | " "                 | " "                        | 47μF          |               |                       |                       |              |  |
|                                |          | RELAY               |                            |               | VFO unit      |                       |                       |              |  |
| RL1101                         | 70000033 | LZN2-1              |                            |               | Symbol Number | Parts Number          | Description           |              |  |
|                                |          |                     |                            |               | PB-1774       | 60417740              | Printed Circuit Board |              |  |
|                                |          |                     |                            |               |               | 017740AZ              | VFO unit assembly     |              |  |
|                                |          | FET & TRANSISTOR    |                            |               |               |                       |                       |              |  |
|                                | 91100008 | Wrapping terminal C |                            |               | Q1302         | 22800195              | FET                   | 2SK19GR      |  |
|                                |          |                     |                            |               | Q1301,1303    | 22303724              | Silicon Transistor    | 2SC372Y      |  |







# PARTS LIST

|  |          |                           |           |                         |              |                            |
|--|----------|---------------------------|-----------|-------------------------|--------------|----------------------------|
| Q1818  | 25000085 | IC                        | MSM561    | C1843                   | 34120477     | Electrolytic 16WV 470μF    |
| Q1819~1821                                       | 25000154 | 〃                         | SN75453   |                         |              |                            |
| Q1801  | 22800195 | FET                       | 2SK19GR   |                         |              |                            |
| Q1803  | 22307842 | Transistor                | 2SC784R   |                         |              |                            |
| Q1804,1809                                       | 22303724 | 〃                         | 2SC372Y   |                         |              |                            |
| Q1810  | 22104963 | 〃                         | 2SA496    |                         |              |                            |
| Q1811~1817                                       | 22304960 | 〃                         | 2SC496    |                         |              | T TRIMMER CAPACITOR        |
| Q1822~1828                                       | 21090135 | 7 Segment LED             | 5082-7740 | TC1801                  | 39000011     | ECV-1ZW 20×53 20PF         |
|  |          |                           |           |                         |              |                            |
|  |          | IC SOCKET                 |           |                         |              | INDUCTOR                   |
| DS1801   | 68140008 | 116-14-30-114             | 14P       | L1801,1802              | 53020014     | Micro Inductor FL4H 1.8μH  |
| DS1802   | 68280001 | 116-28-30-114             | 28P       |                         |              |                            |
|  |          |                           |           |                         |              | MINI CONNECTOR             |
|  |          |                           |           |                         | 67100007     | 5048-10A                   |
|  |          |                           |           |                         |              | TRANSFORMER                |
|  |          | DIODE                     |           | T1801,1802              | 55003261     | # 220312                   |
| D1801  | 21090011 | Silicon Diode             | 10D1      | T1803                   | 55003174     | # 220209                   |
|  |          |                           |           |                         |              |                            |
|  |          |                           |           |                         | 91001102     | Seal terminal A-102        |
|  |          | CRYSTAL                   |           | TP1801~1806             | 91100008     | Wrapping terminal C        |
| X1801  | 71600033 | HC-6/W 1.31072MHz #210056 |           |                         |              |                            |
|  |          |                           |           |                         | 67200003     | Board joint 163740         |
|  |          |                           |           |                         |              |                            |
|  |          | RESISTOR                  |           | <b>LED board</b>        |              |                            |
| R1833,1835                                       | 40143470 | Carbon Film ¼W VJ         | 47Ω       | Symbol Number           | Parts Number | Description                |
| R1845  | 40143560 | 〃 〃 〃 〃                   | 56Ω       | PB-1801                 | 60418010     | Printed Circuit Board      |
| R1824,1834                                       | 40143820 | 〃 〃 〃 〃                   | 82Ω       |                         | 018010AZ     | PCB with components        |
| R1805,1806,1836~1842                             | 40143101 | 〃 〃 〃 〃                   | 100Ω      |                         |              |                            |
| R1809  | 40143221 | 〃 〃 〃 〃                   | 220Ω      |                         |              |                            |
| R1813,1823                                       | 40143471 | 〃 〃 〃 〃                   | 470Ω      |                         |              |                            |
| R1803,1810                                       | 40143102 | 〃 〃 〃 〃                   | 1KΩ       |                         |              | DIODE                      |
| R1807  | 40143392 | 〃 〃 〃 〃                   | 3.9KΩ     | D1901~1907              | 21090140     | LED GD-4 203SRD            |
| R1815,1817,1818, R1820~1822,1843                 | 40143103 | 〃 〃 〃 〃                   | 10KΩ      |                         |              |                            |
| R1808,1811,1812                                  | 40143153 | 〃 〃 〃 〃                   | 15KΩ      |                         |              |                            |
| R1816,1819                                       | 40143563 | 〃 〃 〃 〃                   | 56KΩ      |                         |              | RESISTOR                   |
| R1802,1814                                       | 40143104 | 〃 〃 〃 〃                   | 100KΩ     | R1901~1905              | 42124331     | Carbon Composition ½W 330Ω |
| R1844  | 40143224 | 〃 〃 〃 〃                   | 220KΩ     |                         |              |                            |
| R1832  | 40143564 | 〃 〃 〃 〃                   | 560KΩ     |                         |              |                            |
| R1825~1831                                       | 42124330 | 〃 composition ½W G K      | 33Ω       |                         |              |                            |
|  |          |                           |           |                         |              |                            |
|  |          |                           |           | <b>BUFFER AMP board</b> |              |                            |
|  |          |                           |           | Symbol Number           | Parts Number | Description                |
|  |          |                           |           | PB-1671A                | 60416711     | Printed Circuit Board      |
|  |          |                           |           |                         | 016711AZ     | PCB with components        |
|  |          | CAPACITOR                 |           |                         |              |                            |
| C1824,1825                                       | 31820510 | Ceramic Disc 50W 51PF CH  |           |                         |              |                            |
| C1806  | 31829059 | 〃 〃 〃 〃                   | 0.5PFSL   |                         |              |                            |
| C1801,1805,1807,1808                             | 31829050 | 〃 〃 〃 〃                   | 5PF SL    |                         |              |                            |
| C1811  | 31829270 | 〃 〃 〃 〃                   | 27PF SL   |                         |              | FET                        |
| C1827~1831                                       | 31829221 | 〃 〃 〃 〃                   | 220PFSL   | Q2001                   | 22800195     | FET 2SK19GR                |
| C1802,1804,1809,1810 C1812~1816,1819, C1844~1848 | 30820102 | 〃 〃 〃 〃                   | 0.001μF   |                         |              |                            |
| C1817,1818,1820~ C1823,1826,1832,1836 C1837      | 30820103 | 〃 〃 〃 〃                   | 0.01μF    |                         |              | RESISTOR                   |
|  |          |                           |           | R2002,2003              | 41143101     | Carbon Film ¼W TJ 100Ω     |
|  |          |                           |           | R2004                   | 41143102     | 〃 〃 〃 〃 1KΩ                |
| C1734  | 36916337 | Tantalum 〃 6.3WV 330μF    |           | R2001                   | 41143104     | 〃 〃 〃 〃 100KΩ              |
| C1839~1842                                       | 32821102 | Feed Thru 50WV 0.001μF    |           |                         |              |                            |
| C1833,1838                                       | 34220106 | Electrolytic 16WV R 10μF  |           |                         |              |                            |
| C1803  | 34120107 | 〃 10WV R 100μF            |           |                         |              |                            |

## PARTS LIST

|                 |              | CAPACITOR                   |          |          |               |              | TRIMMER CAPACITOR   |          |
|-----------------|--------------|-----------------------------|----------|----------|---------------|--------------|---|----------|
| C2004           | 31829060     | Ceramic Disc                | 50WV 6PF | SL       | TC2101        | 39000007     | ECV 1ZW   | 20×40    |
| C2001           | 31829470     | ⋄ ⋄ ⋄                       | 47PF     | SL       |               |              |   |          |
| C2002,2003      | 30820102     | ⋄ ⋄ ⋄                       | 0.001μF  |          |               |              |   |          |
| INDUCTOR        |              |                             |          |          |               |              |   |          |
|                 |              |                             |          |          | L2101         | 53010002     | Micro Inductor  | 22μH     |
|                 |              |                             |          |          | L2102         | 53010003     | ⋄ ⋄   | 250μH    |
| TRANSFORMER     |              |                             |          |          |               |              |   |          |
| T2001           | 54141020     | R12-4102                    |          | # 220111 |               |              |   |          |
|                 |              |                             |          |          |               | 91100008     | Wrapping terminal C   |          |
| MARKER unit     |              |                             |          |          |               |              |   |          |
| Symbol Number   | Parts Number | Description                 |          |          |               |              |   |          |
|                 |              | Printed Circuit Board       |          |          | RELAY board   |              |   |          |
| PB-1802         | 60418020     | Marker board                |          |          | Symbol Number | Parts Number | Description   |          |
| PB-1804         | 60418040     | Connector board             |          |          | PB-1829       | 60418290     | Printed Circuit Board                                       |          |
|                 | 018020AZ     | Marker unit with components |          |          |               | 018290AZ     | PCB with components   |          |
| IC & TRANSISTOR |              |                             |          |          |               |              |   |          |
| Q2103           | 25000108     | IC                          | 34024PC  |          |               |              | RELAY   |          |
| Q2101,2102,2104 | 22303724     | Transistor                  | 2SC372Y  |          | RL2301        | 70000031     | BR-211 D012M  |          |
| DIODE           |              |                             |          |          |               |              |   |          |
| D2101           | 21090139     | Zener                       | RD8.2EB  |          | ACCESSORIES   |              |   |          |
|                 |              |                             |          |          | Symbol Number | Parts Number | Description   |          |
|                 |              |                             |          |          |               | 77000011     | Microphone Assembly YE-11<br>with Microphone hanger, Screws |          |
|                 |              |                             |          |          |               | 67040001     | Microphone Plug FM-144P                                     |          |
|                 |              | CRYSTAL                     |          |          |               | 67020005     | Antenna plug  | PL-259   |
| X2101           | 71800060     | HC-18/U                     | 12.8MHz  |          |               | 67050003     | Accessory plug  | CP-0084  |
|                 |              |                             |          |          |               | 67020002     | Key plug  | SH-3001  |
|                 |              |                             |          |          |               | 67020003     | External Speaker plug                                       | P-2240   |
|                 |              |                             |          |          |               | 67020003     | Headphone plug  | P-2240   |
|                 |              | RESISTOR                    |          |          |               | 67030002     | Plug adaptor  | KA-409   |
| R2109           | 40143271     | Carbon Film                 | ¼W       | VJ 270Ω  |               | 67020001     | RCA plug  | CN-7017P |
| R2103,2105      | 40143102     | ⋄ ⋄ ⋄                       | ⋄        | 1KΩ      |               | 73000003     | Fuse 3A (AC)  |          |
| R2108           | 40143222     | ⋄ ⋄ ⋄                       | ⋄        | 2.2KΩ    |               | 73000005     | Fuse 10A (DC)   |          |
| R2102           | 40143103     | ⋄ ⋄ ⋄                       | ⋄        | 10KΩ     |               | 96000001     | AC power cord   | # 240011 |
| R2101,2107      | 40143223     | ⋄ ⋄ ⋄                       | ⋄        | 22KΩ     |               | 68040005     | Power plug  | QMSP4FK  |
| R2106           | 40143104     | ⋄ ⋄ ⋄                       | ⋄        | 100KΩ    |               | 96000003     | DC power cord   | # 240068 |
| R2104           | 40143224     | ⋄ ⋄ ⋄                       | ⋄        | 220KΩ    |               | 68040005     | Power plug  | QMSP4FK  |
|                 |              |                             |          |          |               | 69000002     | Fuse holder   | SN1102   |
|                 |              |                             |          |          |               | 67020008     | Cigarette lighter adaptor                                   |          |
| CAPACITOR       |              |                             |          |          |               |              |   |          |
| C2101,2107      | 31820270     | Ceramic Disc                | 50WV 27P | CH       |               |              |   |          |
| C2102,2103      | 31820221     | ⋄ ⋄ ⋄                       | 220PF    | CH       |               |              |   |          |
| C2108           | 31829030     | ⋄ ⋄ ⋄                       | 3PF      | SL       |               |              |   |          |
| C2104~2106,2110 | 30820103     | ⋄ ⋄ ⋄                       | 0.01μF   |          |               |              |   |          |
| C2111           | 32821102     | Feed Thru                   | 50W      | 1000PF   |               |              |   |          |
| C2109           | 35220106     | Electrolytic                | 16W      | 10μF     |               |              |   |          |